



> REID Bracket Matrix

For Personnel winches & SRL devices



REID Bracket Matrix

The following document is a guide to assist with product selection to ensure that you are able to select the correct product and code when fitting a system with personnel winches and/or SRL devices.

Please note that the part codes in this document are given in relation to the brackets supplied by REID lifting and not the devices which they support. If you require more information about the devices themselves, please contact us at enquiries@reidlifting.com.

More information and installations guides for each device and REID product can be found online at reidlifting.com.



Contents

4 Gantry Range

6 **PORTA**GANTRY **RAPIDE**

8 **PORTA**GANTRY Small and Medium

10 **PORTA**GANTRY

12 Davit Range

14 **T**DAVIT

16 **PORTA**DAVIT **QUANTUM** Single Winch

18 **PORTA**DAVIT **QUANTUM** Double Winch

20 **PORTA**DAVIT

22 **PORTX** DAVIT



Gantry Range

- 6 **PORTAGANTRY**^{RAPIDE}
- 8 **PORTAGANTRY** Small or Medium
- 10 **PORTAGANTRY**

| | PORTAGANTRY[®] RAPIDE[®] | PORTAGANTRY[®] Small and Medium (Trap Plate) | PORTAGANTRY[®] (Column) | |
|------------------------------------|---|---|--|------------|
| Supported Personnel Winches | G.Winch | RAWB005220 | RAWB005225 | RAWB005208 |
| | Guardian Checkmate | RAWB001220 | RAWB001220 | RAWB001200 |
| | IKAR PLW | RAWB004220 | RAWB004225 | RAWB004200 |
| | MSA Workman | RAWB008220 | RAWB008220 | RAWB008000 |
| | 3M SALA Winch | RAWB003520 | RAWB003522 | RAWB003000 |
| | 3M DBI SALA Digital Winch | RAWB003520 | RAWB003522 | RAWB003000 |
| | Tuffbuilt Pro Series 1 | RAWB009220 | RAWB009225 | RAWB009200 |
| | Tuffbuilt Pro Series 2 | RAWB009320 | RAWB009325 | RAWB009300 |

| | | | | |
|------------------------------|------------------------------------|------------|------------|------------|
| Supported SRL Devices | Guardian FABXR | RAWB001020 | RAWB001020 | RAWB001000 |
| | Tractel Blocfor | RAWB002020 | RAWB002020 | RAWB002000 |
| | 3M Rebel Protect A | RAWB003520 | RAWB003522 | RAWB003000 |
| | 3M SALA Sealed Block | RAWB003520 | RAWB003522 | RAWB003000 |
| | 3M Sala Ultra-Lok | RAWB003525 | RAWB003520 | RAWB003000 |
| | IKAR HRA | RAWB004020 | RAWB004020 | RAWB004000 |
| | Globestock G-Saver GSE 414G | RAWB005520 | RAWB005520 | RAWB005500 |
| | Globestock G-Saver GSE 420G | RAWB005020 | RAWB005020 | RAWB005000 |
| | Globestock G-Saver GSE 434G | RAWB005020 | RAWB005020 | RAWB005000 |
| | Ridgegear | RAWB006020 | RAWB006020 | RAWB006000 |
| | MSA Rescuer | RAWB008020 | RAWB008020 | RAWB008000 |

➤ PORTAGANTRY RAPIDE®



| Supported Personnel Winch | | |
|---------------------------|---------------------------|--------------|
| | Supported Device | Product Code |
| Figure A | G.Winch | RAWB005220 |
| | Guardian Checkmate | RAWB001220 |
| | IKAR PLW | RAWB004220 |
| | MSA Workman | RAWB008220 |
| | 3M SALA Winch | RAWB003520 |
| | 3M DBI SALA Digital Winch | RAWB003520 |
| | Tuffbuilt Pro Series 1 | RAWB009220 |
| | Tuffbuilt Pro Series 2 | RAWB009320 |

| Supported SRL Device | | |
|----------------------|-----------------------------|--------------|
| | Supported Device | Product Code |
| Figure B | Guardian FABXR | RAWB001020 |
| | Tractel Blocfor | RAWB002020 |
| | 3M Rebel Protect A | RAWB003520 |
| | 3M SALA Sealed Block | RAWB003520 |
| | 3M Sala Ultra-Lok | RAWB003525 |
| | IKAR HRA | RAWB004020 |
| | Globestock G-Saver GSE 414G | RAWB005520 |
| | Globestock G-Saver GSE 420G | RAWB005020 |
| | Globestock G-Saver GSE 434G | RAWB005020 |
| | Ridgegear | RAWB006020 |
| | MSA Rescuer | RAWB008020 |

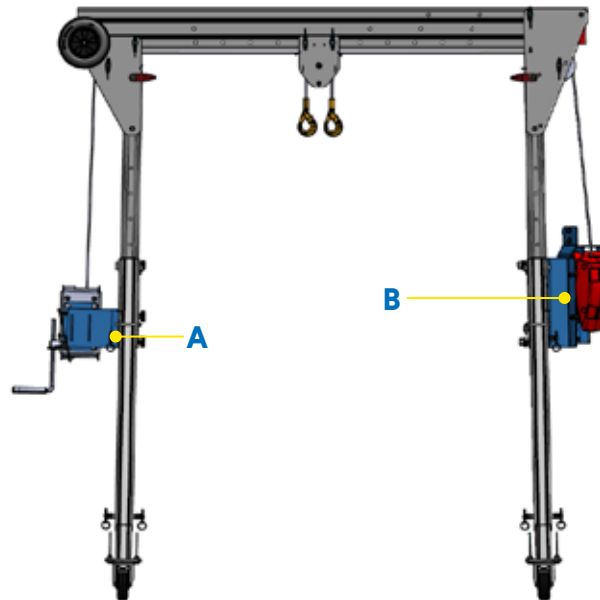
Winch-ready set up

The brackets on this page are for trap plate attachment set-ups with a **PORTA**GANTRY [RAPIDE].

You must ensure that your system is fitted with the necessary winch-ready attachments in order to use any winch or SRL device.

| Winch-Ready Attachments | |
|-------------------------------|------------|
| PGR Universal Sheave kit | RAPGR00032 |
| PGR Single Sheave carrier | PGTUR00501 |
| PGR Double sheave carrier | PGTTR00501 |
| PGR1000 Single sheave carrier | PGTUR01001 |
| PGR1000 Double sheave carrier | PGTTR01001 |

Note: All sheave carriers are rated 250kg WLL for personnel lifting applications.



➤ PORTAGANTRY® Small or Medium



| Supported Personnel Winch | | |
|---------------------------|---------------------------|--------------|
| | Supported Device | Product Code |
| Figure A | G.Winch | RAWB005225 |
| | Guardian Checkmate | RAWB001220 |
| | IKAR PLW | RAWB004225 |
| | MSA Workman | RAWB008220 |
| | 3M SALA Winch | RAWB003522 |
| | 3M DBI SALA Digital Winch | RAWB003522 |
| | Tuffbuilt Pro Series 1 | RAWB009225 |
| | Tuffbuilt Pro Series 2 | RAWB009325 |

| Supported SRL Device | | |
|----------------------|-----------------------------|--------------|
| | Supported Device | Product Code |
| Figure B | Guardian FABXR | RAWB001020 |
| | Tractel Blocfor | RAWB002020 |
| | 3M Rebel Protect A | RAWB003522 |
| | 3M SALA Sealed Block | RAWB003522 |
| | 3M Sala Ultra-Lok | RAWB003520 |
| | IKAR HRA | RAWB004020 |
| | Globestock G-Saver GSE 414G | RAWB005520 |
| | Globestock G-Saver GSE 420G | RAWB005020 |
| | Globestock G-Saver GSE 434G | RAWB005020 |
| | Ridgegear | RAWB006020 |
| | MSA Rescuer | RAWB008020 |

Winch-ready set up

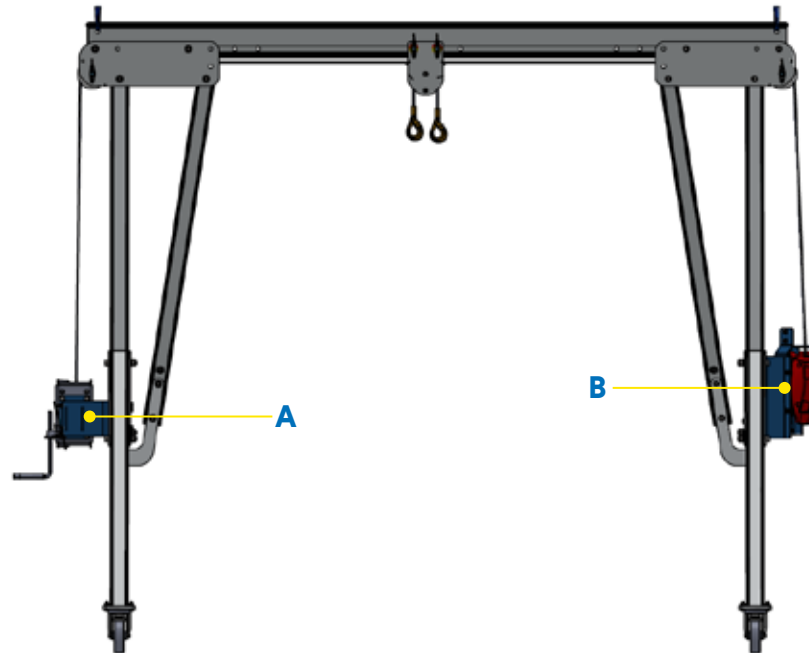
The brackets on this page are for trap plate attachment set-ups with a PORTAGANTRY.

All gantries must conform with one of the following set-ups when being used with any winch or SRL device

- > **Newly purchased** Gantry systems will require Winch ready A-Frames
- > **Upgrading existing** systems will need a Winch conversion kit per A-Frame.

| Winch-Ready Attachments | |
|----------------------------|------------|
| Winch ready A-Frame | SP100 |
| Winch ready conversion kit | RAPG000077 |
| PG Single Sheave carrier | PGTU00501 |
| PG Double sheave carrier | PGTT00501 |

Note: All sheave carriers are rated 250kg WLL for personnel lifting applications.



PORTAGANTRY®



| Supported Personnel Winch | | |
|---------------------------|---------------------------|--------------|
| | Supported Device | Product Code |
| Figure A | G.Winch | RAWB005208 |
| | Guardian Checkmate | RAWB001200 |
| | IKAR PLW | RAWB004200 |
| | MSA Workman | RAWB008000 |
| | 3M SALA Winch | RAWB003000 |
| | 3M DBI SALA Digital Winch | RAWB003000 |
| | Tuffbuilt Pro Series 1 | RAWB009200 |
| | Tuffbuilt Pro Series 2 | RAWB009300 |

| Supported SRL Device | | |
|----------------------|-----------------------------|--------------|
| | Supported Device | Product Code |
| Figure B | Guardian FABXR | RAWB001000 |
| | Tractel Blocfor | RAWB002000 |
| | 3M Rebel Protect A | RAWB003000 |
| | 3M SALA Sealed Block | RAWB003000 |
| | 3M Sala Ultra-Lok | RAWB003000 |
| | IKAR HRA | RAWB004000 |
| | Globestock G-Saver GSE 414G | RAWB005500 |
| | Globestock G-Saver GSE 420G | RAWB005000 |
| | Globestock G-Saver GSE 434G | RAWB005000 |
| | Ridgegear | RAWB006000 |
| | MSA Rescuer | RAWB008000 |

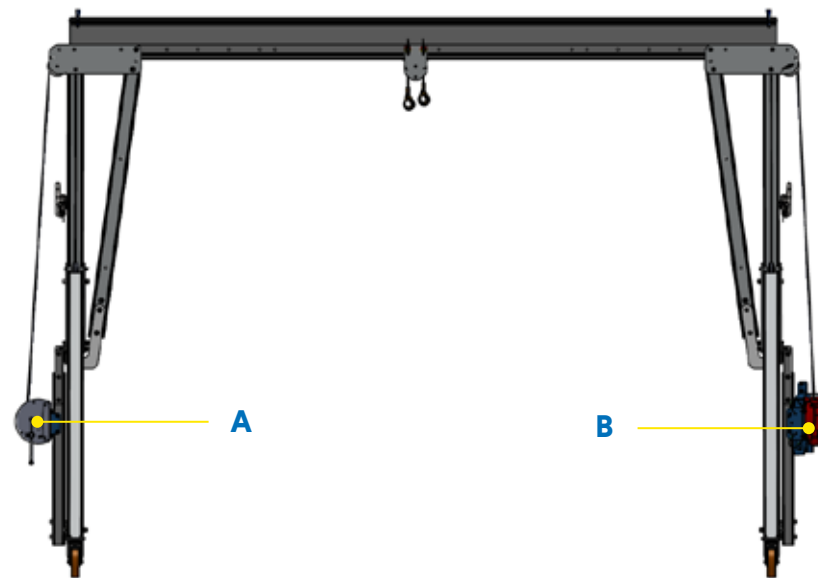
Winch-ready set up

The brackets on this page are for column attachment set-ups with a PORTAGANTRY. Note that winch columns are supplied separately and specified to the size of the A-Frames.

All gantries must conform with one of the following set-ups when being used with any winch or SRL device

- **Newly purchased** Gantry systems will require Winch ready A-Frames
- **Upgrading existing** systems will need a Winch conversion kit per A-Frame.

| Winch-Ready Attachments | |
|-----------------------------|------------|
| Winch Ready A-Frames | SP100 |
| Winch ready conversion kit | RAPG000077 |
| Winch Column - Intermediate | RAGC0001 |
| Winch Column - Tall | RAGC0002 |
| Winch Column - TC4 | RAGC0003 |
| Winch Column - TC3 | RAGC0004 |
| Winch Column - TC1 or TC2 | RAGC0005 |
| PG Single Sheave carrier | PGTU00501 |
| PG Double sheave carrier | PGTT00501 |



Note: All sheave carriers are rated 250kg WLL for personnel lifting applications.

REID
LIFTING

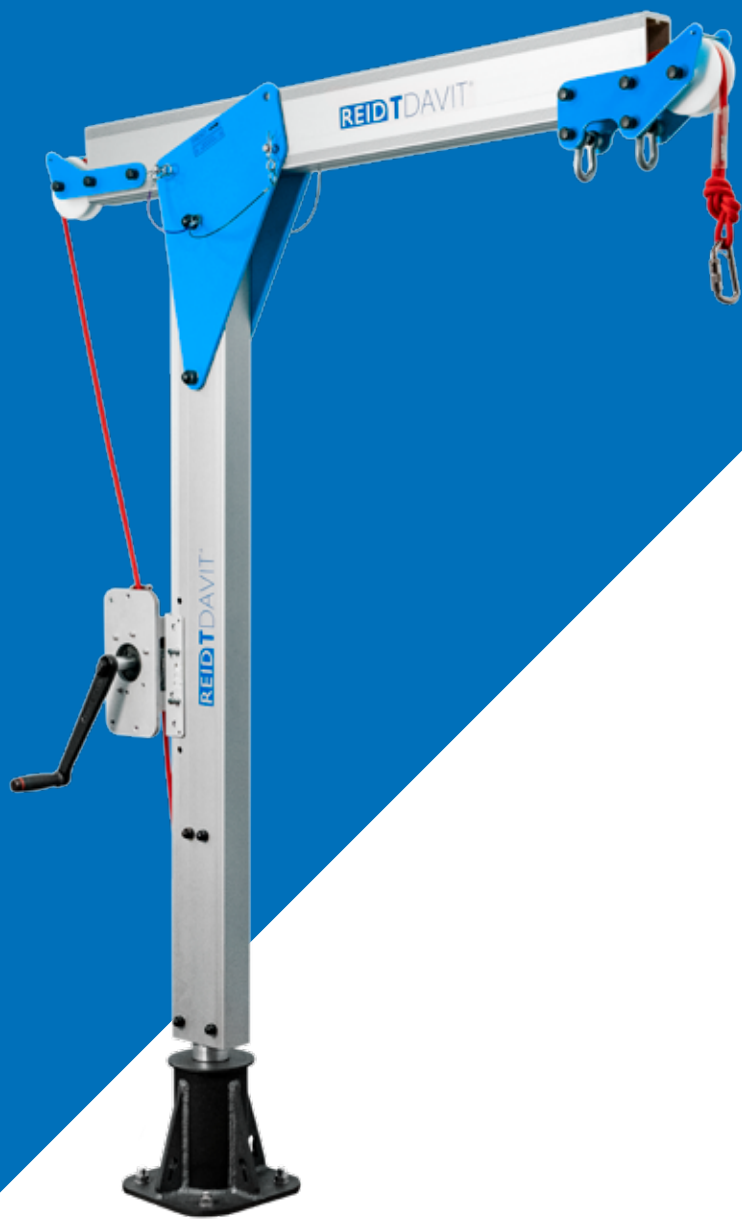
> Davit Range

- 14 TDAVIT®
- 16 PORTA DAVIT QUANTUM® Single Winch
- 18 PORTA DAVIT QUANTUM® Double Winch
- 20 PORTA DAVIT®
- 22 PORTX® DAVIT

| | TDAVIT® | PORTA DAVIT ^{QUANTUM} Column | PORTA DAVIT ^{QUANTUM} Single Winched Backstay | PORTA DAVIT ^{QUANTUM} Double Winched Backstay | PORTA DAVIT® | PORTX® DAVIT | PORTX® DAVIT Double Winch | |
|-------------------|----------------------------------|--|--|--|--------------|--------------|------------------------------|------------|
| Personnel Winches | G.Winch | RAWB005200 | RAWB005200 | RAWB005206 | N/A | RAWB005203 | RAWB005200 | RAWB005209 |
| | Guardian Checkmate | RAWB001200 | RAWB001200 | RAWB001206 | N/A | RAWB001203 | RAWB001200 | RAWB001209 |
| | IKAR PLW | RAWB004200 | RAWB004200 | RAWB004206 | N/A | RAWB004203 | RAWB004200 | RAWB004209 |
| | MSA Workman | RAWB008000 | RAWB008000 | RAWB008006 | N/A | RAWB008003 | RAWB008000 | N/A |
| | 3M SALA Winch | RAWB003000 | RAWB003000 | RAWB003003 | N/A | RAWB003000 | RAWB003000 | RAWB003009 |
| | 3M DBI SALA Digital Winch | RAWB003000 | RAWB003000 | RAWB003003 | N/A | RAWB003000 | RAWB003000 | RAWB003009 |
| | Tuffbuilt Pro Series 1 | RAWB009200 | RAWB009200 | RAWB009206 | N/A | RAWB009203 | RAWB009200 | N/A |
| | Tuffbuilt Pro Series 2 | RAWB009300 | RAWB009300 | RAWB009306 | N/A | RAWB009303 | RAWB009300 | N/A |

| | | | | | | | | |
|-------------|------------------------------------|------------|------------|------------|------------|------------|------------|-----|
| SRL Devices | Guardian FABXR | RAWB001000 | RAWB001000 | RAWB001000 | RAWB001010 | RAWB001000 | RAWB001000 | N/A |
| | Tractel Blocfor | RAWB002000 | RAWB002000 | RAWB002000 | RAWB002010 | RAWB002000 | RAWB002000 | N/A |
| | 3M Rebel Protect A | RAWB003000 | RAWB003000 | RAWB003006 | RAWB003010 | RAWB003003 | RAWB003000 | N/A |
| | SALA Sealed Block | RAWB003000 | RAWB003000 | RAWB003006 | RAWB003010 | RAWB003003 | RAWB003000 | N/A |
| | 3M Sala Ultra-Lok | RAWB003000 | RAWB003000 | RAWB003006 | RAWB003010 | RAWB003003 | RAWB003000 | N/A |
| | IKAR HRA | RAWB004000 | RAWB004000 | RAWB004000 | RAWB004010 | RAWB004000 | RAWB004000 | N/A |
| | Globestock G-Saver GSE 414G | RAWB005500 | RAWB005500 | RAWB005500 | RAWB005510 | RAWB005500 | RAWB005500 | N/A |
| | Globestock G-Saver GSE 420G | RAWB005000 | RAWB005000 | RAWB005000 | RAWB005010 | RAWB005000 | RAWB005000 | N/A |
| | Globestock G-Saver GSE 434G | RAWB005000 | RAWB005000 | RAWB005000 | RAWB005010 | RAWB005000 | RAWB005000 | N/A |
| | Ridgegear | RAWB006000 | RAWB006000 | RAWB006000 | RAWB006010 | RAWB006000 | RAWB006000 | N/A |
| | MSA Rescuer | RAWB008000 | RAWB008000 | RAWB008006 | N/A | RAWB008003 | RAWB008000 | N/A |

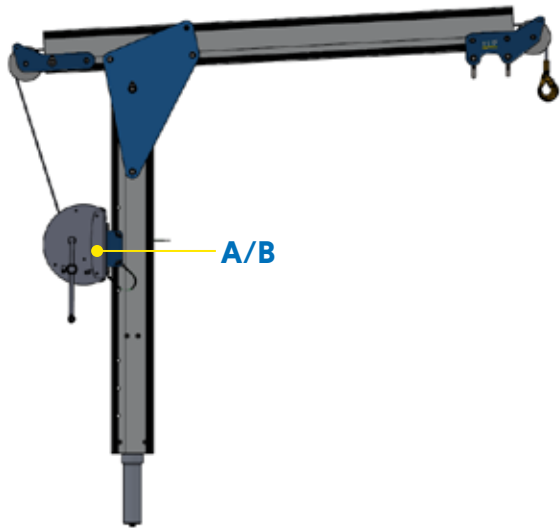
> TDAVIT[®]



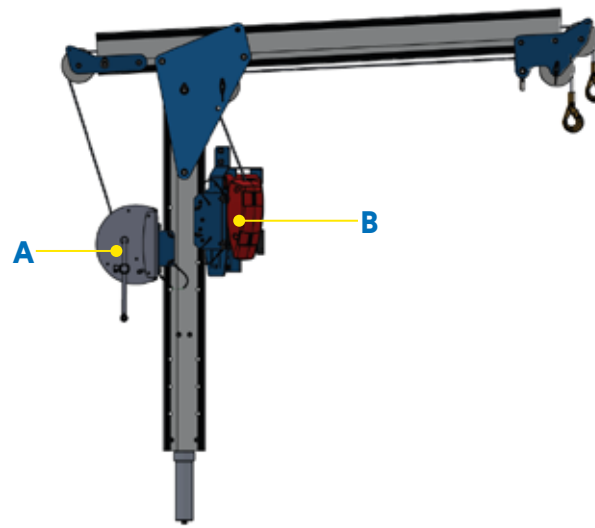
| Supported Personnel Winch | | |
|---------------------------|---------------------------|--------------|
| Figure A | Supported Device | Product Code |
| | G.Winch | RAWB005200 |
| | Guardian Checkmate | RAWB001200 |
| | IKAR PLW | RAWB004200 |
| | MSA Workman | RAWB008000 |
| | 3M SALA Winch | RAWB003000 |
| | 3M DBI SALA Digital Winch | RAWB003000 |
| | Tuffbuilt Pro Series 1 | RAWB009200 |
| | Tuffbuilt Pro Series 2 | RAWB009300 |

| Supported SRL Device | | |
|----------------------|-----------------------------|--------------|
| Figure B | Supported Device | Product Code |
| | Guardian FABXR | RAWB001000 |
| | Tractel Blocfor | RAWB002000 |
| | 3M Rebel Protect A | RAWB003000 |
| | 3M SALA Sealed Block | RAWB003000 |
| | 3M Sala Ultra-Lok | RAWB003000 |
| | IKAR HRA | RAWB004000 |
| | Globestock G-Saver GSE 414G | RAWB005500 |
| | Globestock G-Saver GSE 420G | RAWB005000 |
| | Globestock G-Saver GSE 434G | RAWB005000 |
| | Ridgegear | RAWB006000 |
| | MSA Rescuer | RAWB008000 |

TDAVIT® Winched



TDAVIT® Double Winched



▶ PORTADAVIT QUANTUM® Single Winch



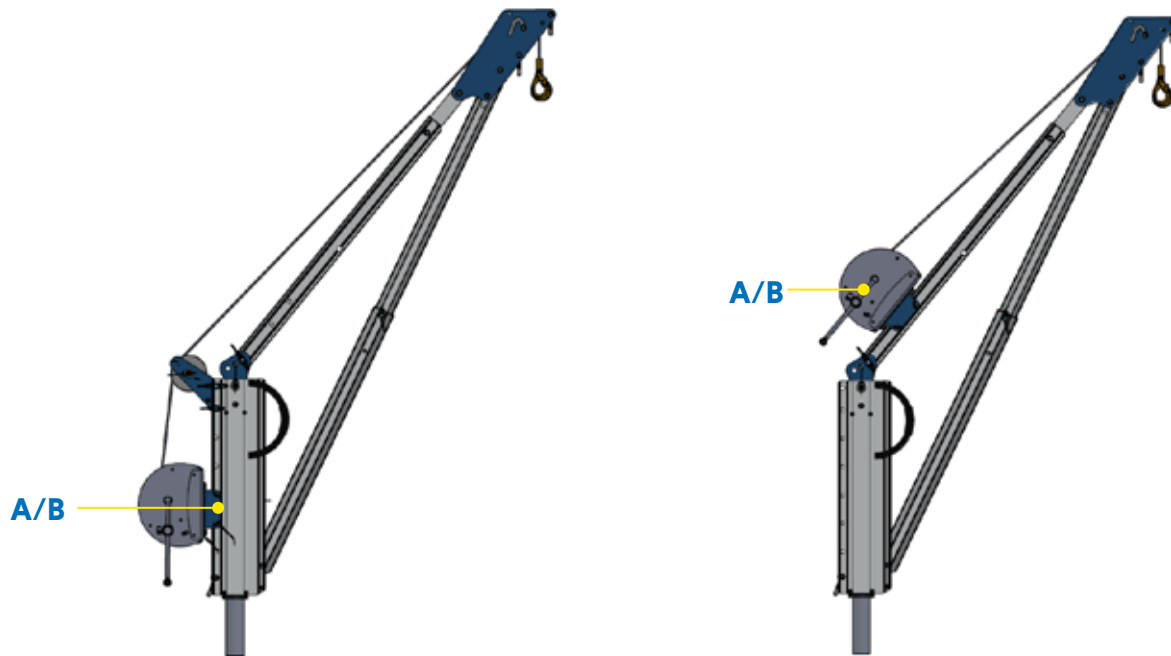
| Supported Personnel Winch | | | |
|---------------------------|---------------------------|-----------------------|-------------------------|
| Figure A | Supported Device | Product Code - Column | Product Code - Backstay |
| | G.Winch | RAWB005200 | RAWB005206 |
| | Guardian Checkmate | RAWB001200 | RAWB001206 |
| | IKAR PLW | RAWB004200 | RAWB004206 |
| | MSA Workman | RAWB008000 | RAWB008006 |
| | 3M SALA Winch | RAWB003000 | RAWB003006 |
| | 3M DBI SALA Digital Winch | RAWB003000 | RAWB003006 |
| | Tuffbuilt Pro Series 1 | RAWB009200 | RAWB009206 |
| | Tuffbuilt Pro Series 2 | RAWB009300 | RAWB009306 |

| Supported SRL Device | | | |
|----------------------|-----------------------------|-----------------------|-------------------------|
| Figure B | Supported Device | Product Code - Column | Product Code - Backstay |
| | Guardian FABXR | RAWB001000 | RAWB001000 |
| | Tractel Blocfor | RAWB002000 | RAWB002000 |
| | 3M Rebel Protect A | RAWB003000 | RAWB003006 |
| | 3M SALA Sealed Block | RAWB003000 | RAWB003006 |
| | 3M Sala Ultra-Lok | RAWB003000 | RAWB003006 |
| | IKAR HRA | RAWB004000 | RAWB004000 |
| | Globestock G-Saver GSE 414G | RAWB005500 | RAWB005500 |
| | Globestock G-Saver GSE 420G | RAWB005000 | RAWB005000 |
| | Globestock G-Saver GSE 434G | RAWB005000 | RAWB005000 |
| | Ridgegear | RAWB006000 | RAWB006000 |
| | MSA Rescuer | RAWB008000 | RAWB008006 |

Winch-ready set up

The following parts are required for use when mounting any winch or SRL device onto the PORTA DAVIT^{QUANTUM} column.

| Winch-Ready Attachments | |
|-------------------------|------------|
| PDQ Sheave Bracket | RAWB000095 |



➤ PORTA DAVIT QUANTUM® Double Winch



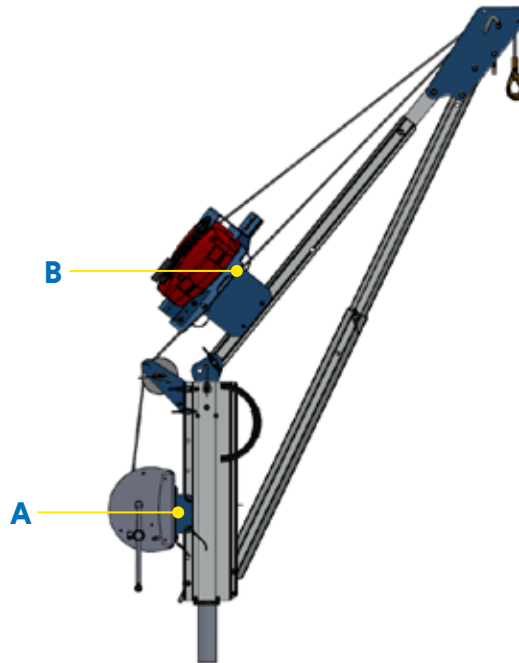
| Supported Personnel Winch | | |
|---------------------------|---------------------------|-----------------------|
| Figure A | Supported Device | Product Code - Column |
| | G.Winch | RAWB005200 |
| | Guardian Checkmate | RAWB001200 |
| | IKAR PLW | RAWB004200 |
| | MSA Workman | RAWB008000 |
| | 3M SALA Winch | RAWB003000 |
| | 3M DBI SALA Digital Winch | RAWB003000 |
| | Tuffbuilt Pro Series 1 | RAWB009200 |
| | Tuffbuilt Pro Series 2 | RAWB009300 |

| Supported SRL Device | | |
|----------------------|-----------------------------|--|
| Figure B | Supported Device | Product Code - Backstay (Double Winch) |
| | Guardian FABXR | RAWB001010 |
| | Tractel Blocfor | RAWB002010 |
| | 3M Rebel Protect A | RAWB003010 |
| | 3M SALA Sealed Block | RAWB003010 |
| | 3M Sala Ultra-Lok | RAWB003010 |
| | IKAR HRA | RAWB004010 |
| | Globestock G-Saver GSE 414G | RAWB005510 |
| | Globestock G-Saver GSE 420G | RAWB005010 |
| | Globestock G-Saver GSE 434G | RAWB005010 |
| | Ridgegear | RAWB006010 |

Winch-ready set up

The following parts are required for use when mounting any winch or SRL device onto the PORTADAVIT^{QUANTUM} column.

| Winch-Ready Attachments | |
|-------------------------|------------|
| PDQ Sheave Bracket | RAWB000095 |

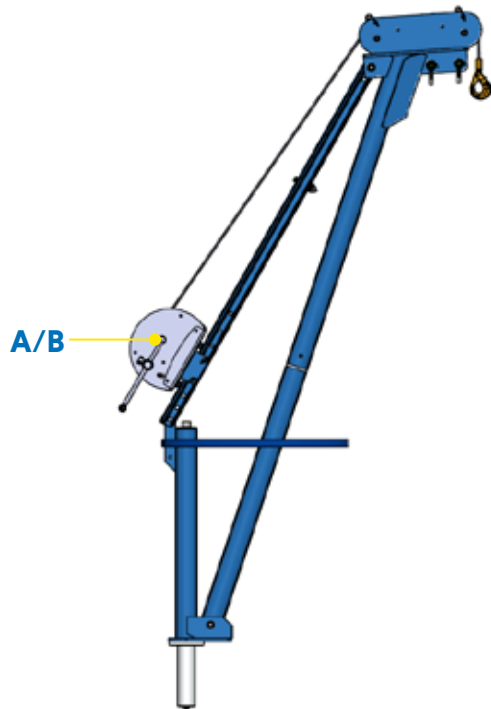


> PORTADAVIT®



Supported Personnel Winch

| Figure A | Supported Device | Product Code - Backstay |
|----------|---------------------------|-------------------------|
| | G.Winch | RAWB005203 |
| | Guardian Checkmate | RAWB001203 |
| | IKAR PLW | RAWB004203 |
| | MSA Workman | RAWB008003 |
| | 3M SALA Winch | RAWB003003 |
| | 3M DBI SALA Digital Winch | RAWB003003 |
| | Tuffbuilt Pro Series 1 | RAWB009203 |
| | Tuffbuilt Pro Series 2 | RAWB009303 |



Supported SRL Device

| Figure B | Supported Device | Product Code - Backstay |
|----------|-----------------------------|-------------------------|
| | Guardian FABXR | RAWB001000 |
| | Tractel Blocfor | RAWB002000 |
| | 3M Rebel Protect A | RAWB003003 |
| | 3M SALA Sealed Block | RAWB003003 |
| | 3M Sala Ultra-Lok | RAWB003003 |
| | IKAR HRA | RAWB004000 |
| | Globestock G-Saver GSE 414G | RAWB005500 |
| | Globestock G-Saver GSE 420G | RAWB005000 |
| | Globestock G-Saver GSE 434G | RAWB005000 |
| | Ridgegear | RAWB006000 |
| | MSA Rescuer | RAWB008003 |

PORTX[®] DAVIT

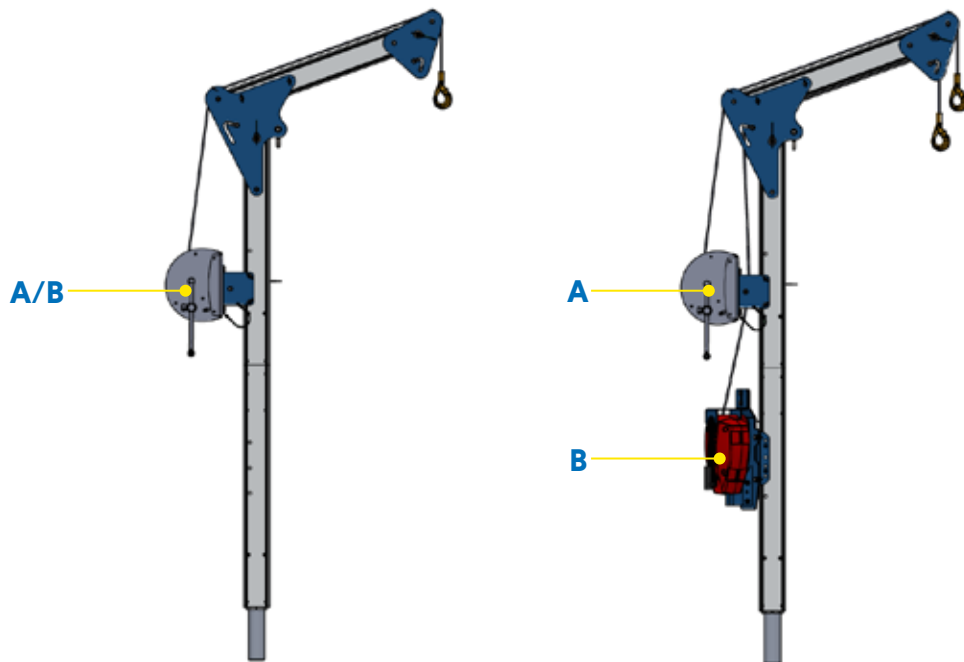


Supported Personnel Winch

| Figure A | Supported Device | Product Code - Single Winch | Product Code - Double Winch |
|----------|---------------------------|-----------------------------|-----------------------------|
| | G.Winch | RAWB005200 | RAWB005209 |
| | Guardian Checkmate | RAWB001200 | RAWB001209 |
| | IKAR PLW | RAWB004200 | RAWB004209 |
| | MSA Workman | RAWB008000 | N/A |
| | 3M SALA Winch | RAWB003000 | RAWB003009 |
| | 3M DBI SALA Digital Winch | RAWB003000 | RAWB003009 |
| | Tuffbuilt Pro Series 1 | RAWB009200 | N/A |
| | Tuffbuilt Pro Series 2 | RAWB009300 | N/A |

Supported SRL Device




| Figure B | Supported Device | Product Code |
|-------------|-----------------------------|--------------|
| | Guardian FABXR | RAWB001000 |
| | Tractel Blocfor | RAWB002000 |
| | 3M Rebel Protect A | RAWB003000 |
| | 3M SALA Sealed Block | RAWB003000 |
| | 3M Sala Ultra-Lok | RAWB003000 |
| | IKAR HRA | RAWB004000 |
| | Globestock G-Saver GSE 414G | RAWB005500 |
| | Globestock G-Saver GSE 420G | RAWB005000 |
| | Globestock G-Saver GSE 434G | RAWB005000 |
| | Ridgegear | RAWB006000 |
| MSA Rescuer | RAWB008000 | |



Contact Us

REID Lifting

Unit 1 Wyeview,
Newhouse Farm Ind. Estate
Chepstow, Monmouthshire
NP16 6UD UK

-  +44 (0)1291 620 796
-  enquiries@reidlifting.com
-  www.reidlifting.com

All information herein is copyright protected by REID Lifting Ltd. All company and product names are Trade Mark and Trade Name protected and all REID Product IPR is protected under Patents, Patents Pending and/or Design Rights.

 Printed using environment friendly processes and materials.