



# PORTA DAVIT QUANTUM™

➤ Assembly & Operation Guide

# > Contents

## **Correct Operation** 4

Intended Use  
Inspection Prior to Initial Operation  
Inspection Before Starting Work  
Maximum Capacity  
Temperature Range  
Notes for Correct Operation  
Disclaimer  
Warning  
Fall Protection  
Additional Notes for Correct Operation  
Warning

## **Inspection & Maintenance** 8

Regular Inspections  
Maintenance & Repair  
Storage & Transportation  
Overload Indicator  
Sockets  
Socket Installation  
Minimum Mounting Requirements  
Verifying the Installation

## **ATEX** 12

ATEX  
Classification [Zone 2]  
Classification [Zone 1]  
Spark Formation  
Static Electricity  
Inspection, Maintenance & Repair

## **Assembly Instructions** 14

## **Variants & Options** 19

## **Dimensions** 22

## **Quality & Safety** 24

Regulations, Standards & Directives  
Accreditations  
Conformité Européenne [CE] & UK Conformity  
Assessed [UKCA]  
The Queen's Award for Enterprise  
Testing  
Language  
Product IPR

## **Product Labelling** 26

## **Inspection Record** 27

# Lightweight. Portable. **Safe.**

Please read the following instructions and guidance notes carefully, before using or operating the system. They contain important information about how to handle and use the system in a safe and efficient way, avoiding danger, reducing repair costs and downtime, and increasing the reliability and lifespan of the system.

They apply for:

- Operation, including preparation, troubleshooting during operation and cleaning
- Maintenance, inspection and repair
- Transportation

It is the responsibility of the end user to adhere to the Health & Safety and accident prevention standards and legislation valid in their respective countries and any regions in which the system is being used. It is also incumbent on the user or competent person to ensure that anyone working with the equipment has the necessary medical and physical capabilities. A rescue plan also needs to be in place in the event of an emergency that could occur during the work. This document should form part of the overriding Risk Assessment and Method Statement required for each lift.

# > Correct Operation

## Intended Use

This product is intended to be used for; the lifting of goods, the lifting of personnel, or providing a safety anchor for the prevention of falls.

It is expected that all users of this product have the necessary medical and physical capabilities, are fully trained and competent in its safe assembly and use.

## Inspection Prior to Initial Operation

Each product must be inspected prior to initial operation by a competent person to ensure that the structure is safe and that it has not been damaged by incorrect assembly, transport or storage.

## Inspection Before Starting Work

Before starting work, the product assembly and all load-bearing components should be checked for visual defects as per the inspection checklist on page 8.

## Maximum Capacity

**Goods Lifting:** This product is designed to lift and lower loads up to its rated capacity. Do not exceed the capacity indicated on the product.

**Personnel Lifting:** When lifting people, the overall load limit is reduced by half to provide an increased safety factor. The maximum capacity permitted by the personnel winch/accessory used in conjunction with the product also needs to be taken into account.

Only chain hoists with a capacity of up to 1000kg are suitable for this davit. The structure has been designed to take into account the weight of a standard chain block but, if a device with a significant additional weight is being used, then this needs to be included within the overall capacity. Care should also be taken when using any lifting device other than a manual chain hoist in case the dynamic effects of this reduce the overall capacity of the davit. REID Lifting's representatives can provide additional advice on this if required.

The table below gives the maximum WLL and radius for each of the standard models.

Please be aware that the maximum radius is achieved when the davit is being used at approximately 75% of its maximum capacity.

	Max. Goods WLL	Max. Personnel WLL	Max. Radius
PDG 1 (PDG600)	600kg	300kg	1200mm
PDG 2 (PDG500)	500kg	250kg	1500mm

## Temperature Range

This product can be operated in ambient dry temperatures between -20°C and +55°C (-4°F and 131°F). Consult your supplier in case of extreme working conditions. If used in sub-zero and wet conditions, fall arrest appliances characteristics may change.

## Notes for Correct Operation

- For winched variants, each of the product's three sheaves have been designed to work specifically with the rope materials and diameters detailed below:

Sheave Colour	Rope Diameter	Rope Material
Yellow	4mm - 5mm	Wire rope / Fibre rope
White/Natural	4mm - 7mm	Wire rope / Fibre rope
Grey	8mm - 12mm	Fibre rope only

- It is important to ensure that the correct sheave is being used to prevent pinching or squashing of the rope
- We recommend the use of load-sensing or overload protection devices on all lifts

- The risk assessment and method statement must consider any factors that might apply additional loading to the system during lifting operations
- Suitable, appropriately rated winches and connection plates must be used for all applications
- Take care when transporting and storing the system to avoid damage
- Assemble only as instructed (ensure all bolts are present and fitted correctly as per instructions)
- We recommend that gloves are worn when using the equipment
- Attach the hoist to the dedicated lifting point only, making sure it is attached in a way that does not expose the user to danger by the hoist, chain or load
- Do not allow the load to swing
- Only attach the load to the lifting points on the head or winch line
- Contact your supplier before using the davit in (special atmospheres) extreme conditions

- To avoid side pull, lowering and lifting should only be carried out when the load chain forms a straight and vertical line between the load and lifting attachment point. (Refer to figure A)



- Do not assemble the davit in any non-approved socket
- Make sure that the kingpin shaft is correctly seated in the socket before use
- Do not use this product if it does not rotate freely in the bearing or if the bottom flange is fouled in any way that prevents that free rotation
- Do not knot or shorten the tension strap to reduce the operating radius
- Always ensure that the product is set up in its mounting socket in a safe location where there is no risk of falling into the hazard or lift area

# ➤ Correct Operation

## Disclaimer

- REID lifting sockets & extensions have been designed, developed and tested for safe use with REID equipment and form a key part of the integrity of the total system
- All sockets have a maximum moment based on the maximum reach setting of the Davit, and the socket installation and verification tests performed
- If non-standard, third-party sockets are used, REID Lifting's Declaration of Conformity & Incorporation and warranty for the products is no longer valid and the system becomes the responsibility of the client

## Warning

- The equipment should not be used outside of its limitations, or for any purpose other than that for which it is intended
- Do not lift or transport loads while personnel are in the danger zone
- Do not allow personnel to pass under a suspended load
- Never leave a suspended load unattended
- Be aware of hazards when setting up/folding down, such as trapping fingers in rotating parts
- Be aware of any adverse weather conditions such as strong or gusty winds which could impose additional horizontal loads and affect the stability of the structure. Stop using if weather is impacting on lifting.
- Don't allow the load to hit the system



The system is not suitable for fall arrest applications.



The system is suitable for fall arrest applications. Specify number of users.  
Max weight of 150kg.

## Fall Protection

When being used as part of a fall protection system the user must use a body harness and retractable device or shock absorber to EN355 that limits the maximum allowed force (M.A.F.) to 6kN. Winches used with the system should comply to EN1496:2017 or equivalent.

In the event of simultaneous goods and personnel combined lifting or when being used as a fall arrest system in sub-zero and wet conditions contact the supplier as capacities may be reduced.

While this product will have the capabilities stated on it, it is only one part of a fall arrest system which is only as strong as the lowest rated component. Each lift must be properly planned, and all weights clearly known along with the WLL and constraints of all fall arrest system devices.

### Additional Notes for Correct Operation

- › Ensure suitable and appropriately rated winches and connection plates are used for all applications
- › Never walk away from the structure whilst connected to the equipment (either by winch or fall arrest block)
- › When using the davit as a fall arrest anchor, ensure there is adequate fall clearance when working at height
- › Always consider the potential effects of sharp edges, chemical reagents, electrical conductivity, cutting, abrasion, climatic exposure on the fall protection lifelines, and the effect of offset forces as a result of pendulum falls
- › When being used for fall protection, the user must remain within the footprint of this product
- › Where regulations require, each installation must be approved by a qualified person

### Warning

- › When using the Davit in conjunction with any other manufacturer's fall protection products, it is essential to read the instructions for those products to check their suitability and restrictions for use
- › REID Lifting does not recommend that the davit is used for personnel and goods lifting at the same time
- › It is essential for safety that the product is withdrawn from use immediately and not be used again until confirmed in writing by a competent person should,
  1. Any doubt arises about its condition for safe use or;
  2. It has been used to arrest a fall

# › Inspection & Maintenance

The following information is based on REID Lifting's recommendations and does not remove the responsibility of the user to comply with the relevant regulations and standards that are valid in the respective countries and regions where the system is being used.

Before use, the product should be inspected for visual defects using the checklist below:

- › Ensure that the kingpin, column, jib and backstay are free from dents and indentations and are not showing any signs of distortion
- › Check that there is no elongation of the beam holes and that the inserts have not become loose.
- › Make sure that the telescopic jib section retracts fully and that the holes line up so that the pin can be fully inserted. If either of these functions are affected, it may be a sign that the device has been overloaded.
- › Ensure that there is no damage to the shackles or polyester strop. (REID recommends replacing the strop if there are any signs of damage, fraying, UV degradation or wear)
- › Make sure that the sheaves rotate freely and that there is no visible damage
- › Ensure that no bolts are loose
- › Check any brackets or attachments for signs of damage.

Test the free rotation of the kingpin and ensure that it is fully engaged in the socket. The lower bearing at the bottom of the column needs to be flush with the top of the socket.

## Regular Inspections

To ensure that the product's remains in safe working order it must be inspected regularly by a competent person. We recommend inspections every 6 months for personnel lifting and every 12 months for goods only, unless adverse working conditions or profile of use dictate shorter periods. The components of the system frame need to be checked for damage, wear, corrosion or other irregularities. It may be necessary to disassemble the system frame in order to do this. Particular attention should be paid to checking the profiles for denting, making sure there is no wear or elongation on the bolt holes and ensuring that the jib section retracts smoothly.

Any necessary repairs should only be carried out by an approved specialist workshop using original spare parts. It is recommended that once inspected or repaired, the device is marked with the date of the next inspection.

Inspections are instigated by the user. If detailed information is required on inspection and test criteria, please refer to your supplier's technical department. The equipment Inspection Record is on page 27.

If using the system in explosive atmospheres, see additional section titled ATEX.



## Maintenance & Repair

In order to ensure correct operation, the conditions for inspection and maintenance must be complied with. If any defects are found, stop using the product immediately.

No alterations or additions to the equipment should be made without the written consent of the manufacturer. Any repair must be carried out in accordance with the manufacturer's procedures.

It is recommended to maintain the equipment in a clean and dry manner. Cleaning is suggested using a sponge or cloth with warm, soapy water, rinsing and allowing to dry.

Most of the structure is constructed from aluminium with steel fasteners; non-metallic parts are constructed from acetal co-polymers, polyethylene and polyester.

## Storage & Transportation

When transporting the components, take note of all the manual handling considerations.

Do not throw the product down or stack any items on top of it.

Always place carefully and securely on the ground to avoid damaging the equipment.

## Overload Indicator

This product is fitted with a mechanism that will indicate if the structure has been overloaded.

There are two warning signs to look out for:

- ▶ The pin to lock the two jib components together is difficult to insert or can't be inserted completely when the upper jib is retracted into its vertical stowed position after use
- ▶ The upper part of the jib itself can't be fully retracted into its stowed position

If either of these occur, quarantine the equipment immediately and contact your REID representative.

# > Inspection & Maintenance

## Sockets

REID's davits need to be anchored to a suitable structural surface/foundation capable of withstanding the applicable loading. We strongly recommend that a structural engineer validates this prior to installation of the product.

This product can be supplied with one of the sockets specified below (only sockets supplied by REID Lifting are approved to be used with this product):

- > The Top Mount socket is for use on flat horizontal surfaces. It can be installed onto concrete using resin bonded anchors or into steel work using bolts.
- > The Side Mount socket can be installed using resin bonded anchors or mechanical anchors.
- > The Bridge Mount socket is for mounting into steel work and walkways.
- > The Cast & Resin Bonded sockets can be cast into new concrete or resin bonded into existing concrete.



Top Mount



Side Mount



Bridge Mount



Cast & Resin Bonded

## Socket Installation

Socket installation should only be carried out by a qualified person, with the ability to specify the anchors, resin, and fasteners necessary to ensure an installation that is safe for use. If in any doubt about the calculation of loads, contact your REID Lifting representative.

Depending upon the socket type, there are a number of different installation options. If bolts are being used for this, then these should be minimum grade 8.8 BZP or if stainless, grade A4 or equivalent.

When installing the socket, it is important to ensure that the top face is as level as possible, with misalignment no more than 3 degrees from the horizontal.

Note: Site specific information regarding the installation of REID davit sockets CANNOT be detailed within this operating manual as each site/structure is different. A qualified engineer MUST design and approve each installation based on the minimum mounting requirements, site information and experience.

## Minimum Mounting Requirements

The supporting structure and installed base must be capable of withstanding the following:

- For personnel, 12kN at the device's maximum radius in all worst-case loading directions.
- 150% of the goods capacity at the device's maximum radius in all anticipated worst-case loading directions

For more detailed requirements please contact REID Lifting.

## Verifying the Installation

We recommend that the socket installation is tested before initial use, particularly when using resin bonded anchors. When verifying the installation, testing should be to no more than 125% of the goods capacity at its maximum radius or 6kN at its maximum radius for personnel. All tests should be carried out in all anticipated worst-case loading directions, sustained for a duration of 3 minutes.

If the socket installation can't be tested, each anchor should be isolated and tested individually applying the applicable tension and shear loading. Please contact REID for more details

Following initial socket installation verification tests, we recommend periodic visual examination rather than overload tests for the socket or davit. If, as a result of the visual examination, a load test is judged to be required, then we recommend a 100% load test and certainly no more than 125%.

## ATEX

This product has been designed for use in explosive atmospheres in line with the following requirements and information. Any use which differs or exceeds this is considered incorrect and REID Lifting Ltd will not accept any responsibility or liability for damages resulting from false application. The risk is solely with the user. If the product has been customized in any way, then it may not comply with standards and no longer be suitable for use in explosive atmospheres. If this is the case, then the product will not have any of the markings below. If in doubt, please contact your REID representative.

### Classification [Zone 2]

As standard, the product meets the requirements of Category 3 equipment for use in Zone 2 explosive atmospheres, providing a normal level of protection where mixtures of air and gases, vapours or mists or by air and dusts mixtures are unlikely to occur or, if they do occur, are likely to do so only infrequently and for a short period only.

The product will have the following identification on the serial label:

#### As Standard for Zone 2 Environments:

 II 3 GD  
Ex h IIC T6 Gc  
Ex h IIIC T85°C Dc  
Tamb -20°C to +55°C



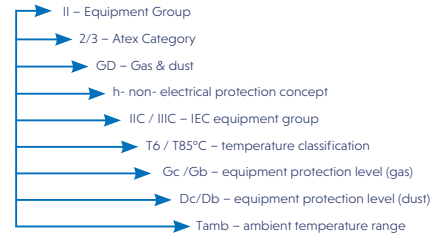
### Classification [Zone 1]

Available as an upgrade, the product can be supplied to meet the requirements of Category 2 equipment for use in Zone 1 explosive atmospheres, providing a high level of protection where mixtures of air and gases, vapours, mists or by air and dusts mixtures are likely to occur.

The product will have the following identification on the serial label:

#### As an upgrade for use in Zone 1 environments:

 II 2 GD  
Ex h IIC T6 Gb  
Ex h IIIC T85°C Db  
Tamb -20°C to +55°C



## Spark Formation

There is an increased danger of ignition when certain material pairings clash, namely non-corrosion-resistant steel or cast iron against aluminium, magnesium or pertinent alloys. This applies especially in the case of rust or surface rust. When assembling the product and inserting fastening components, these must therefore be clear of rust and debris of any kind. As stated previously, care must be taken to ensure the product is handled in a suitable manner, never thrown down and always placed carefully onto the ground.

REID recommends the use of corrosion resistant tools when assembling this product to prevent the possibility of any sparks.

## Static Electricity

For Zone 1 and 2 applications, there is a potential risk of static electricity build-up leading to an incentive spark. Although the risk of such ignition is unlikely, the system must be earthed during assembly and use. The sockets should be in direct contact with the ground and there should be no membrane separating the socket from the ground. If the route to earth for the structure cannot be guaranteed, then an earthing cable should be used.

## Inspection, Maintenance & Repair

Special attention should be given to dust deposits on the structure, especially in areas where the profiles come into contact, and should be wiped clean and care taken not to apply materials that could create electrostatic charging.

Additionally, the kingpin should be checked to ensure it rotates freely and the lower bearing must be ensured to be fixed to the structure with no possibility of a build-up of debris between the contact surfaces.

The structure is predominantly constructed from aluminum which will not rust. However, there are steel components used throughout. These are the fasteners, shackles and sockets. Where there is sign of any rust deposits on the aluminium structure, it should be wiped clean as above and, where there is sign of rust on a steel component, that component should be removed from use and the structure not used until a replacement is fitted.

If using the product in explosive atmospheres, in addition to the Regular Inspection and Maintenance information above, these additional instructions should be followed:

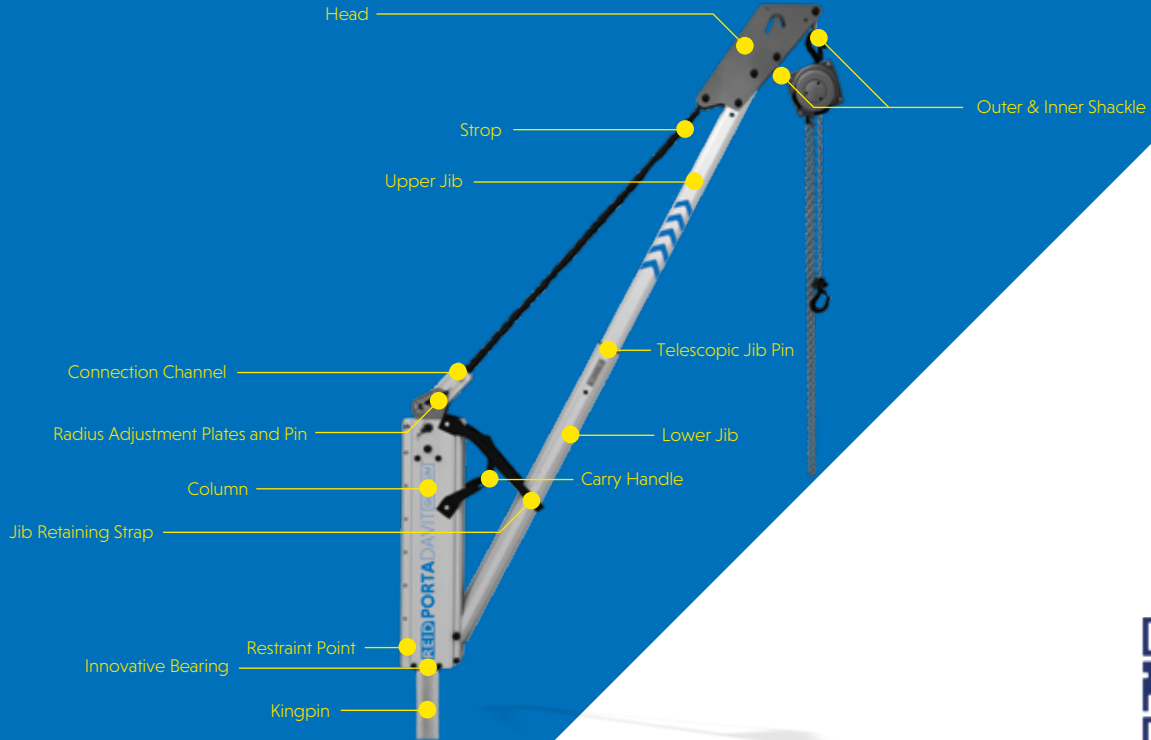
Inspections must be instigated by the user prior to each use if used in a potentially explosive atmosphere.

Inspections and maintenance must be carried out at a safe distance away from an explosive atmosphere.

# ► Assembly Instructions

The PORTA DAVIT QUANTUM (Type S) and its constituent components are described in the image below.

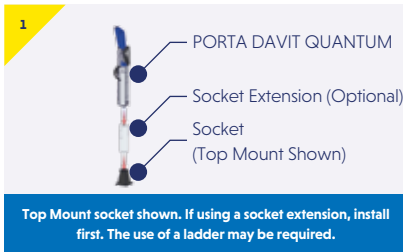
The use of a socket extension is optional and the socket type may vary between a Top Mount, Side Mount, Bridge Mount, Cast In or Resin Bonded, depending on application.



Appropriate PPE should be worn: ► Gloves ► Protective Footwear ► Hard Hat



## Assembling the PORTA DAVIT QUANTUM - Type S (Shackle only)



- › Insert the PORTA DAVIT QUANTUM into the socket as shown



- › Remove the telescopic jib pin



- › Extend the jib and re-insert the pin

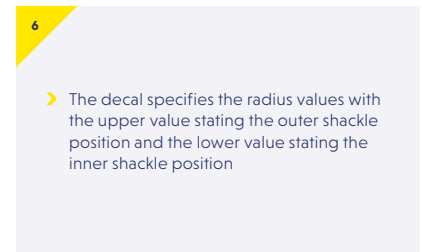


- › Release the jib retaining strap and rotate jib assembly outwards

## Adjusting the Radius



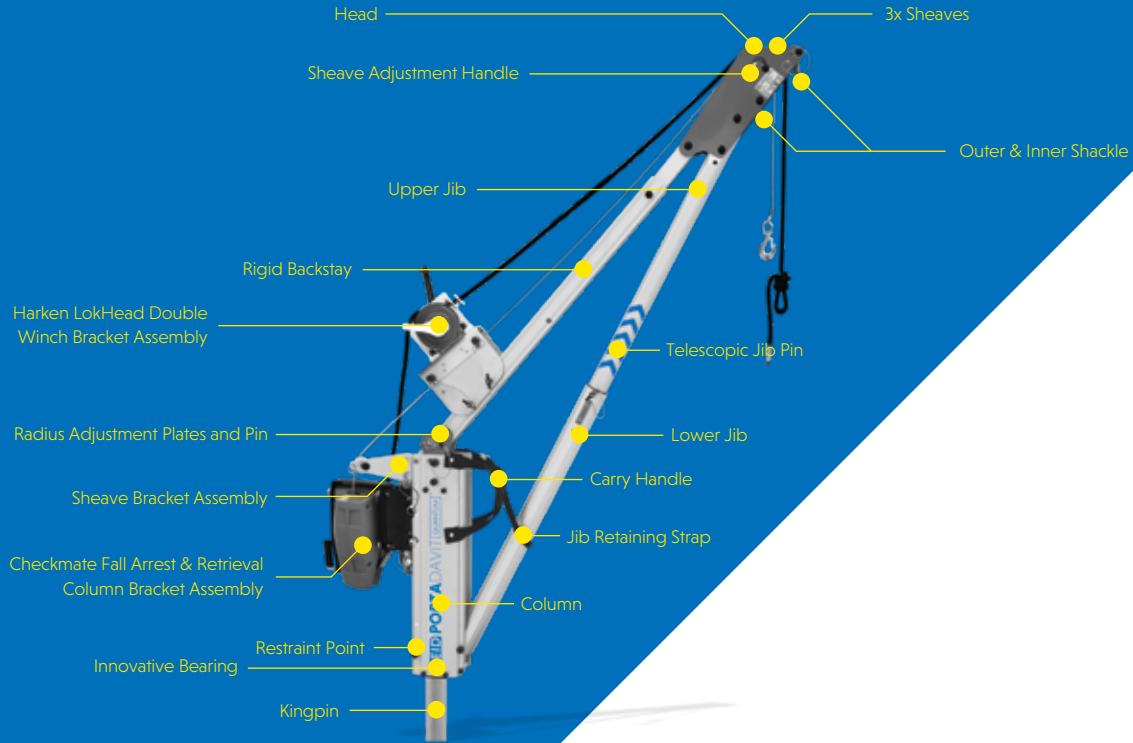
- › The operator can choose the most suitable radius for use, by inserting the pin in the adjustment plate



# ► Assembly Instructions

The PORTA DAVIT QUANTUM (Type W) and its constituent components are described in the image below.

The use of a socket extension is optional and the socket type may vary between a Top Mount, Side Mount, Bridge Mount, Cast In or Resin Bonded, depending on application.

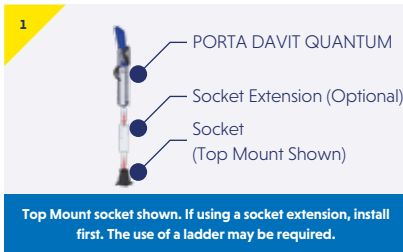


Appropriate PPE should be worn: ► Gloves ► Protective Footwear ► Hard Hat

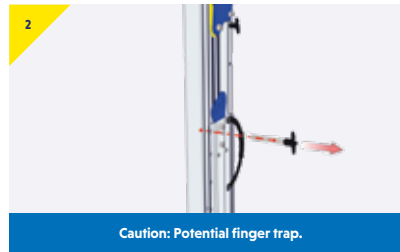




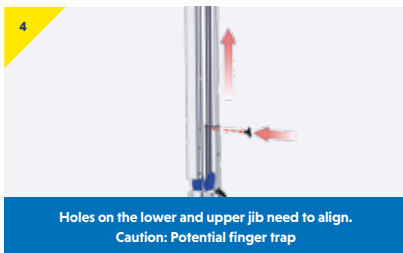
## Assembling the PORTA DAVIT QUANTUM - Type W (Winched)



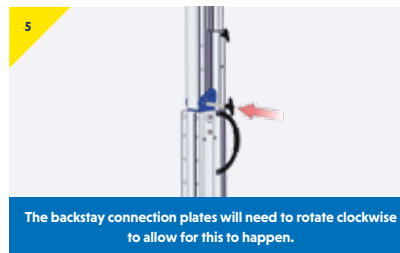
- › Insert the PORTA DAVIT QUANTUM into the socket as shown



- › Remove column/ backstay pin and position the backstay towards the ground ensuring that the backstay remains inside the column fins



- › Extend the jib and re-insert the pin



- › Line up the bottom hole on the backstay with the required operating radius hole and insert radius adjustment pin



- › Release the jib retaining strap and rotate jib assembly outwards

# ➤ Assembly Instructions

## Adjusting the Radius



Ensure the radius adjustment pin is fully engaged before use.

- The operator can choose the most suitable radius for use, by inserting the pin in the adjustment plate

A close-up photograph of a yellow decal on a metal track. The decal contains two sets of numbers: '1000' and '500'. A small yellow triangle with the number '7a' is in the top-left corner of the image.

➤ The decal specifies the radius values with the upper value stating the outer shackle position and the lower value stating the inner shackle position

➤ The operating dimensions can be found on page 19

# Variants & Options.



# > Variants & Options

The list below outlines additional options available which can be fitted to the **PORTADAVIT QUANTUM**;

## > Rotational Handle

### Rotational Handle

A rotational handle can be fitted to the column of the Davit to aid rotation underload. Dependent on the load lifted, users can experience a range of efforts.

To ease some of the higher efforts, as well as using the handle, users can attach a rope to the front shackles in the head of the davit to support the rotation.

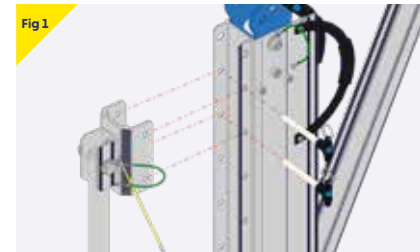
The rotation should be done in a controlled manner.

**Rotation Handle Approx Effort**

Davit Load [kg]	300	400	500	600
Approximate Effort [kg]	25	35	40	50

When the rotational handle is attached to the Davit the following points must be observed:

- > Attach the rotational handle to the column of the Davit at a suitable height [Ideal position should be around hip height]. Secure in place with the pins provided. [See Figure 1]
- > Rotate the handle upwards 90° to be perpendicular to the Davit column. [See Figure 2].
- > Push and pull the handle to rotate the Davit. [See Figure 3].



---

---

---

---

---

---

---

---

---

---

---

---

---

---

---

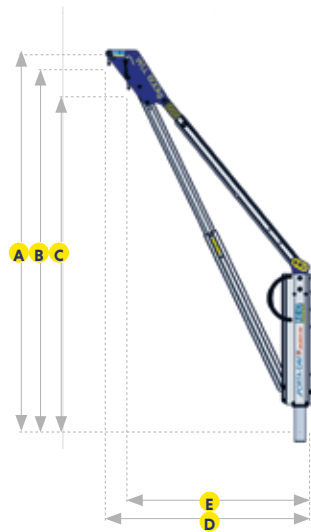
---

# > Dimensions

## PORTADAVIT QUANTUM

- A** Overall height
- B** Height to outer shackle
- C** Height to inner shackle
- D** Radius to outer shackle
- E** Radius to inner shackle

(Winched)



(Shackled)



Part Number	WLL	Radius Adjustment Points	Dimensions (mm)				
			A	B	C	D*	E*
PDQ1S	600KG	1	2007	1935	1799	1200	1100
PDQ1W		2	2061	1989	1848	1100	1000
		3	2111	2039	1892	1000	900

PDQ2S	500KG	1	1837	1766	1647	1500	1400
PDQ2W		2	1899	1827	1703	1400	1300
		3	1957	1885	1755	1300	1200

\*Radii achieved at ≈ 75% WLL

# › Quality & Safety

## Regulations, Standards & Directives

This product complies with the following:

- › ATEX Directive - 2014/34/EU
- › Machinery Directive 2006/42/EC
- › PPE Regulation (EU) 2016/425
- › The Provision and Use of Work Equipment Regulations 1998 (S.I. 1998 No. 2306)
- › The Lifting Operations and Lifting Equipment Regulations 1998 (S.I. 1998 No. 2307)
- › In conformity with EN795:2012, AS/NZS 5532:2013 and PD CEN/TS 16415:2013

It is essential to adhere to the safety regulations of the respective country for using manual lifting equipment.

## Accreditations

Quality and Safety are at the heart of the REID Lifting ethos and we are committed to maintaining the very highest standards. With this in mind, we have undertaken external accreditations to ensure we stay focused on what is important to our clients and users, and ahead of market trends and developments.

REID Lifting is continuously audited by Lloyds Register Quality Assurance (LRQA) for approval of its Integrated Management System combining quality systems management, environmental issues and the health and safety practices within the company.

- › ISO 9001:2015 - Quality management system which assesses an organization's ability to consistently provide products that meet customer and applicable regulatory requirements and aims to enhance customer satisfaction.
- › ISO 14001:2015 - Specifies the requirements for implementing environmental management systems throughout all areas of the organization.
- › ISO 45001 – Health & Safety Management System

- › LEEA Membership - REID Lifting is a full member of the Lifting Equipment Engineers Association (LEEA membership 000897). REID Lifting conforms to the main aims of the association which is to achieve the highest standards of quality and integrity in the operations of members. Entry qualifications are demanding and strictly enforced through technical audits based on the Technical Requirements for Members.
- › IRATA - REID Lifting is an associate member of the Industrial Rope Access Trade Association (IRATA International membership number 148). REID Lifting works in accordance with the IRATA Code of Practice and, in doing so, contributes to promote the development of safe systems.



## Conformité Européenne [CE] & UK Conformity Assessed [UKCA]

REID Lifting's products have been designed, tested and approved (as appropriate) by the Conformité Européenne and UK Conformity Assessed. This certifies that REID Lifting's products meet the demands of the European and UK Directives and Regulations regarding Health and Safety requirements. The EC type-examination for this device has been carried out by SGS United Kingdom Ltd, 202b, Worle Parkway, Westonsuper-Mare, BS22 6WA, United Kingdom (CE body no.0120) in accordance with Module B of the PPE Regulation. The EC quality assurance system for this device has been carried out by SGS Fimko Oy, Takomotie 8, FI-00380 Helsinki, Finland. (CE body no. 0598) and SGS United Kingdom Ltd, 202b, Worle Parkway, Weston-super-Mare, BS22 6WA, United Kingdom (CE body no.0120) in accordance with Module D PPE Regulation (EU) 2016/425 and as brought into UK law and amended.

## The Queen's Award for Enterprise

REID Lifting has been awarded this prestigious award on four occasions for design, development and sale of lightweight, portable and safe lifting solutions.

- ▶ Innovation category 2006 and 2013
- ▶ International Trade 2013 and 2018

## Testing

Testing and technical file review are integral parts of our design and manufacturing process. External verification of products is undertaken where appropriate, using government approved Notified Bodies.

All products have been thoroughly type tested. Each product is supplied with a certificate of conformance and individual record of thorough examination or test.

## Language

It is essential for the safety of the user that if this product is re-sold outside of the original country of destination, the reseller shall provide instructions for use, maintenance, inspection and repair in the language of the country where it will be used.

## Product IPR

Intellectual property rights apply to all REID Lifting Ltd products. There are patents in place, or pending, for:

**PORTAGANTRY** | **PORTAGANTRY** RAPIDE | **PORTADAVIT** QUANTUM | **TDAVIT**

All product names are trademarks of REID Lifting Ltd:

**PORTAGANTRY** | **PORTAGANTRY** RAPIDE | **PORTADAVIT** | **PORTABASE** | **TDAVIT** | **PORTAQUAD**

# > Product Labelling Key

## Safety Labels



Insert and secure the bolt before loading the system.



Insert the detent pin and fully engage before loading the system.



Insert the clevis pin and secure with the clip before loading the system.



Restraint point only.



Read the operational manuals before using the system.



Ensure the pin is fully engaged.

## Serial Labels

1. Product Number
2. Serial Number
3. WLL
4. Year of Manufacture
5. Standards
6. ATEX
7. Max Moment

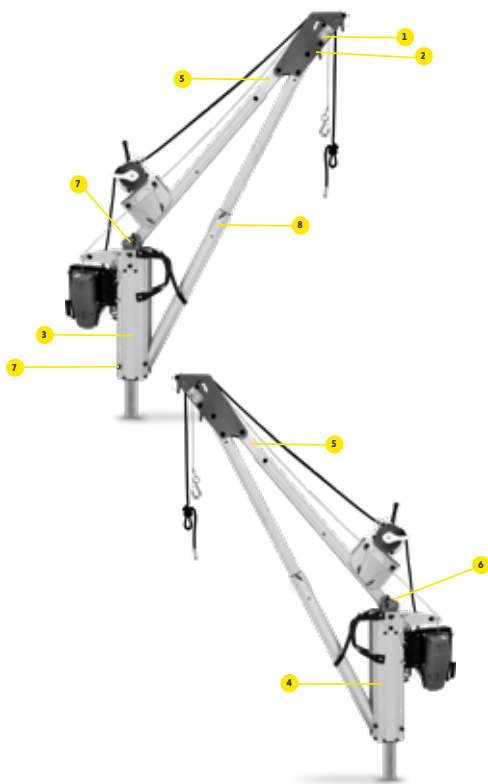


The system is not suitable for fall arrest applications.



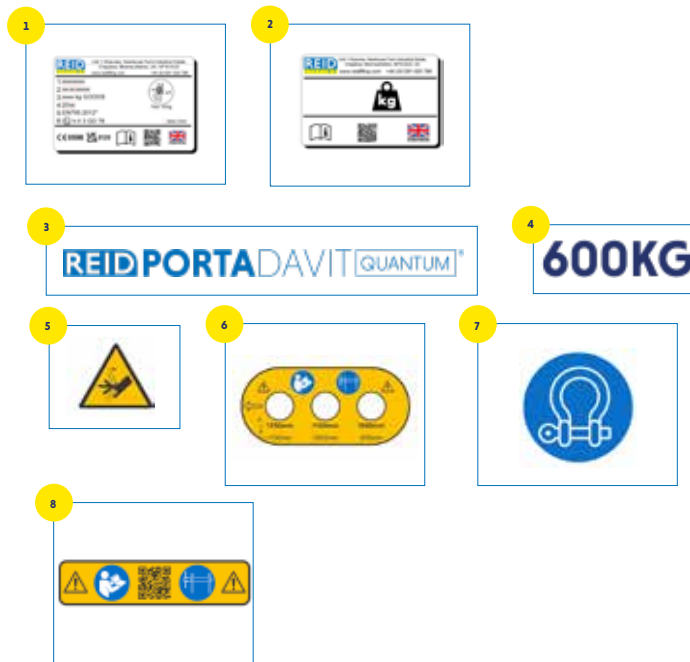
The system is suitable for fall arrest applications. Specify number of users. Max weight of 150kg.

# Product Labelling



## Product labelling

The following labels must be present on your system and must be legible.



# ➤ Product Identification & Inspection Record



## Marking

The serial labels indicate:

- The product identification number
- The product's unique serial number
- The goods' capacity (WLL) of the device
- The year of manufacture
- The standards to which the device is approved
- The ATEX rating of the product (if applicable)
- CE Marking
- Minimum braking load (MBL)

Insert data from serial numbers found on product into table here:

---

---

---

---

---

---

---

---

**Periodic Examination & Repair History**

Date	Inspected by	Pass/Fail	Corrective Action	Comments



---

---

---

---

---

---

---

---

---

---

---

---

---

---

---

---

---

---

---

---

---

---

---

---

---

---

---

---

---

---

# Contact Us

## Head Office, UK

Unit 1 Wyeview  
Newhouse Farm Industrial Estate  
Chepstow  
Monmouthshire  
NP16 6UD  
United Kingdom

- > +44 (0)1291 620 796
- > [enquiries@reidlifting.com](mailto:enquiries@reidlifting.com)
- > [www.reidlifting.com](http://www.reidlifting.com)

All information herein is copyright protected by REID Lifting Ltd. All company and product names are Trade Mark and Trade Name protected and all REID Lifting Ltd. Product IPR is protected under Patents, Patents Pending and/or Design Rights.

 Printed using environment friendly processes and materials.