

# PORTA-DAVIT™ 1000



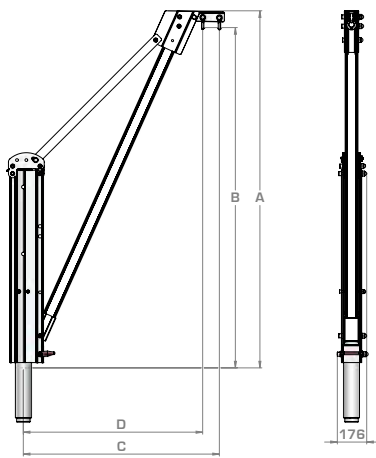
The first truly portable WLL 1000kg lightweight davit system.



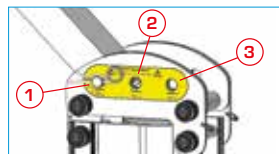
The PORTA-DAVIT 1000 further extends the PORTA-DAVIT family of jib cranes with up to WLL 1000kg lifting capability for goods, bringing additional safety margins for situations where safety is paramount, such as wastewater treatment applications.

Custom versions to meet specific requirements can be quoted upon request.

## PORTA-DAVIT 1000 Dimensions



## Radius Adjustment Points



	WLL	Radius Adjustment Points	Dimensions (mm)			
			A	B	C	D
PORTA-DAVIT 1000	1000kg	1	2100	2000	1200	1100
		2	2150	2050	1100	1000
		3	2200	2100	1000	900

\* Radii achieved at ≈ 75% WLL



## PORTA-DAVIT 1000 Information:

- GOODS WLL** Up to 1000kg at 900-1200mm\* radius
- PERSONNEL WLL** Up to 300kg positioning at all configurations, 150kg max fall arrest
- 2 PERSON FALL ARREST** In conformity with PD CEN/TS16415:2013
- 1 PERSON FALL ARREST** EN795:2012 certified - as part of an EN363 compliant system. In conformity with AS/NZS 5532:2013 and ANSI Z359.18-17
- ROPE ACCESS** Conforms to IRATA International Code of Practice for industrial rope access
- HEIGHT OF LIFT** 2000mm to shackles on standard unit
- LIGHTWEIGHT & PORTABLE**
  - Unique profiles maximising strength vs. weight
  - Stored in a heavy duty bag for easy transportation - combined weight of only 39kg
  - Single person assembly - no tools required
- EASE OF ROTATION** Bearing system allows easy rotation - Rotation bar supplied as an option

REID manufactured Sockets/Sleeving to be used for full product warranty

**N.B:** 95mm sockets are required for this product.



## SOCKETS & EXTENSIONS:

The *PORTA-DAVIT* 1000 structure needs to be anchored to a surface/foundation capable of withstanding the applicable loading. The davit can be supplied with one of the sockets specified below (**only sockets supplied by REID Lifting are approved to be used with the *PORTA-DAVIT* 1000**):



Top Mount

Inverted Top Mount

Side Mount

Cast & Resin Bonded

- The **Top Mount** socket is for use on flat horizontal surfaces. It can be installed onto concrete using resin bonded anchors or into steel work using bolts
- The **Inverted Top Mount** socket is for use on flat horizontal surfaces. It can be installed into steel work using bolts
- The **Side Mount** socket is for use on flat vertical surfaces and can be installed using resin bonded anchors or mechanical anchors
- The **Cast & Resin Bonded** sockets can be cast into new concrete or resin bonded into existing concrete

