

PORTA-DAVIT™ 1000



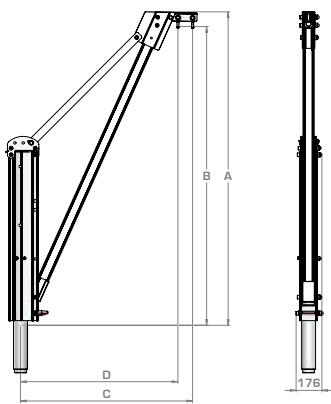
The first truly portable WLL 1000kg lightweight davit system.



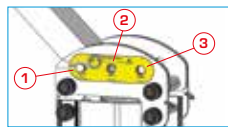
The PORTA-DAVIT 1000 further extends the PORTA-DAVIT family of jib cranes with up to WLL 1000kg lifting capability for goods, bringing additional safety margins for situations where safety is paramount, such as wastewater treatment applications.

Custom versions to meet specific requirements can be quoted upon request.

PORTA-DAVIT 1000 Dimensions



Radius Adjustment Points



PORTA-DAVIT 1000	WLL	Radius Adjustment Points	Dimensions (mm)			
			A	B	C	D
PORTA-DAVIT 1000	1000kg	1	2100	2000	1200	1100
		2	2150	2050	1100	1000
		3	2200	2100	1000	900

* Radii achieved at ≈ 75% WLL



PORTA-DAVIT 1000 Information:

- GOODS WLL** Up to 1000kg at 900-1200mm* radius
- PERSONNEL WLL** Up to 300kg positioning at all configurations, 150kg max fall arrest
- 2 PERSON FALL ARREST** In conformity with PD CEN/ TS16415:2013
- 1 PERSON FALL ARREST** EN795:2012 certified - as part of an EN363 compliant system. In conformity with AS/NZS 5532:2013 and ANSI Z359.18-17
- ROPE ACCESS** Conforms to IRATA International Code of Practice for industrial rope access
- HEIGHT OF LIFT** 2000mm to shackles on standard unit
- LIGHTWEIGHT & PORTABLE**
 - Unique profiles maximising strength vs. weight
 - Stored in a heavy duty bag for easy transportation - combined weight of only 39kg
 - Single person assembly - no tools required
- EASE OF ROTATION** Bearing system allows easy rotation - Rotation bar supplied as an option
- SOCKETS** REID manufactured 95mm Sockets/Sleeving to be used for full product warranty



Top Mount



Inverted Top Mount



Side Mount



Cast & Resin Bonded





t +44 (0)1291 620796

e sales@reidlifting.com

w www.reidlifting.com

UK

REID Lifting

Unit 1 Wyview, Newhouse Farm Ind. Estate,
Chepstow, Monmouthshire, NP16 6UD, UK

t +44 (0)1291 620 796

f +44 (0)1291 626 490

e enquiries@reidlifting.com

w www.reidlifting.com

DE & AUT & CH

REID Lifting D-A-CH

Finkernstrasse 26

8280 Kreuzlingen SWITZERLAND

t +41 (0)71 686 90 40

f +41 (0)71 688 51 69

e jesser@reidlifting.de

w www.ecolistec.ch

w www.reidlifting.de

ITALY

F.A.S. S.p.A.

Via dei Lavoratori 118/120

20092 Cinisello Balsamo ITALY

t +39 (0)2612 4951

e s.scarpetta@fasitaly.com

w www.fasitaly.com

USA

Thern, Inc.

5712 Industrial Park Road

PO Box 347, Winona, MN 55987, USA

t +1 507 454 2996

f +1 507 454 5282

e info@thern.com

w www.thern.com

FRANCE

REID Lifting France

P.A. de Kerboulard, Rue Gutenberg

56250 Saint-Nolff FRANCE

t +33 (0)297 53 32 99

f +33 (0)297 53 04 86

e contact@reidlifting.fr

w www.reidlifting.fr

SWEDEN

2LIFT AB

C / O JJ-Group AB

Tryckarevägen 10

434 37 Kungsbacka SWEDEN

t +46 (0)7342 26155

e info.2lift@jjgruppen.se

w www.jjgruppen.se

AUSTRALIA

Vector Lifting

43 Spencer Street

Jandakot, WA 6164 AUSTRALIA

t +61 (0)8 9417 9128

f +61 (0)8 9417 4105

e info@vectorlifting.com.au

w www.vectorlifting.com.au

CANADA

Equipment Corps Inc.

1256 Arvin Avenue, Stoney Creek

ON L8E 0H7 CANADA

t +1 905 545 1234

f +1 905 545 1270

e sales@equipmentcorps.com

w www.equipmentcorps.com