

# PORTA-GANTRY<sup>®</sup> RAPIDE



500KG  
WLL



1  
Person



33KG  
compact  
storage



EN795

A unique, ultra-light & rapidly deployable gantry that provides a versatile lifting solution for goods and personnel.

The *PORTA-GANTRY RAPIDE* adds exciting new dimensions to the *PORTA-GANTRY* family. A patented gantry that can be assembled in under 60 seconds for both goods and personnel lifting (man-ride) applications.



ASSEMBLY  
VIDEO

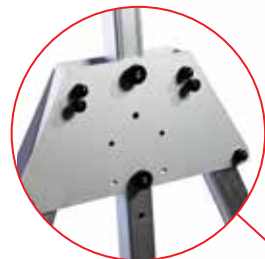
## LOAD TROLLEY

Innovative quick release trolley or sheave carrier fitted in seconds.

Easy assembly by 1 person in less than 60 seconds:



A



## QUICK RELEASE PINS

Assembly with ball lock pins, no bolts or tools required, in less than a minute.

B



C

## TRANSPORTABILITY

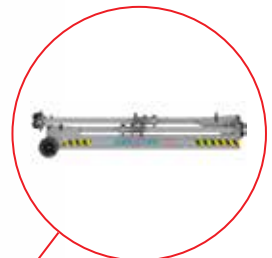
Total weight from just 33kg. Easily transportable by 1 person with integrated wheel and handle.



D

## RAPID ATTACHMENTS

Winching options can be quickly added without the need for tools.



E

## COMPACT

Frames easily fold onto beam forming compact, stowable unit. Fits into a typical service van.



F



## STOW'n'GO

A handy storage container to keep your *PORTA-GANTRY RAPIDE* safe during shipping and transporting to and from site.



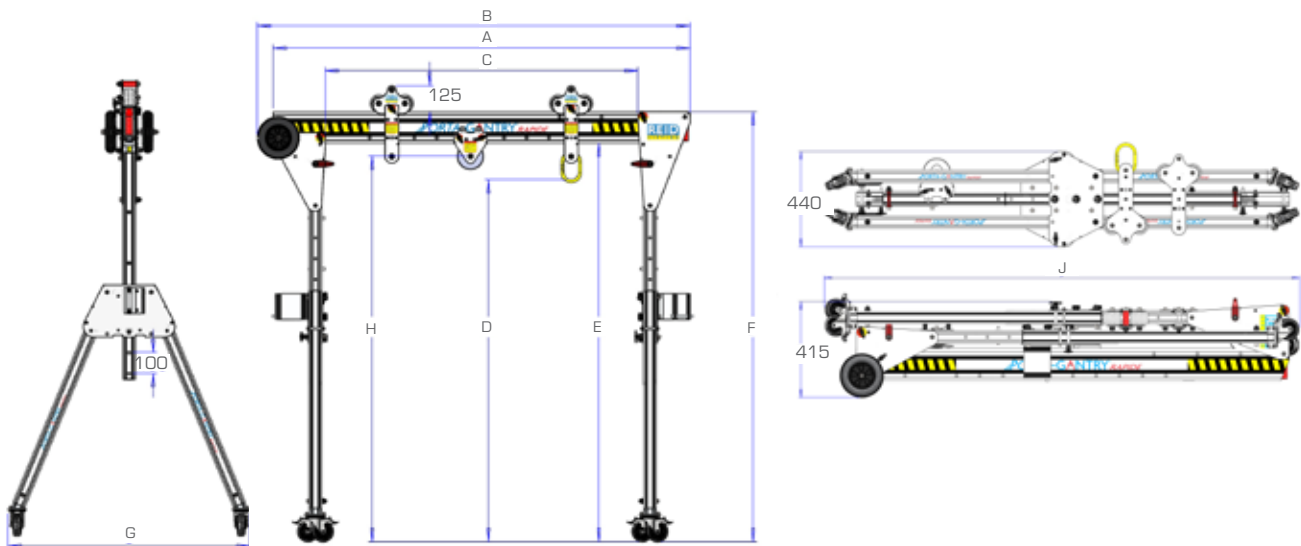
No. 1 in lightweight, portable, safe lifting solutions

## PORTA-GANTRY RAPIDE Information:

- **GOODS WLL** Up to 500kg
- **PERSONNEL WLL** Up to 250kg
- **3 PERSON FALL ARREST** EN795:1997 certified - as part of an EN363 compliant system
- **ATEX** All models suitable for use in ATEX Zone 2 explosive atmospheres. ATEX Zone 1 is available as an upgrade
- **LIGHTWEIGHT & PORTABLE** Within manual handling guidelines, weighing only 33kg
- **EASY USE**
  - Adaptable, multi-purpose trolleys - goods and personnel rated
  - Load bearing, lockable castors for easy positioning *(ACOP advises no gantry movement under load except where a competent person has undertaken a suitable Risk Assessment & Method Statement and has deemed appropriate)*
- **CONFIGURATIONS** Range of beam lengths up to 4m and configurations available

Notified Body Approval SGS UK (D120); Patented & registered designs.

## PORTA-GANTRY RAPIDE Dimensions



	Dimensions (mm)														WLL			Unit Weight (kg)	
	A Beam Length	B	C <sub>Min</sub>	C <sub>Max</sub>	D <sub>Min</sub>	D <sub>Max</sub>	E <sub>Min</sub>	E <sub>Max</sub>	F <sub>Min</sub>	F <sub>Max</sub>	G	H <sub>Min</sub>	H <sub>Max</sub>	J	Goods Capacity (kg)	Fall Arrest Capacity* (Persons)	Personnel * (kg)		
PGRS20	2000	2076	1100	1500											2190	500	3	250	33
PGRS23	2300	2376	1200	1800	1738	1938	1914	2114	2064	2264	1158	1850	2050	2376	400	2	200	34	
PGRS40	4000	4076	2700	3500										4076	250	1	125	40	
PGRM20	2000	2076	1100	1500										2076	400	2	200	34	
PGRM23	2300	2376	1200	1800	1642	2042	1818	2218	1968	2368	1215	1755	2155	2376				34	
PGRM40	4000	4076	2700	3500									4076	40					
PGRT20	2000	2076	1100	1500										2631	250	1	125	38	
PGRT23	2300	2376	1200	1800	1916	2816	2092	2992	2242	3142	1586	2028	2928	2631				39	
PGRT40	4000	4076	2700	3500									4076	44					

\*Ratings using European standards. Contact REID for other standards.

PGRPO/EN/V3/17/09