

PORTA-GANTRY[®] RAPIDE



Unique, ultra-light & rapidly deployable gantry that provides a versatile lifting solution for goods and personnel.



500KG WLL



1 Person



33KG Compact Storage



EN795

The *PORTA-GANTRY RAPIDE* adds exciting new dimensions to the *PORTA-GANTRY* family. A patented gantry that can be assembled in under 60 seconds for both goods and personnel lifting (man-ride) applications.



ASSEMBLY VIDEO

QUICK RELEASE PINS

Quick assembly with ball lock pins, no bolts or tools required.

A

COMPACT

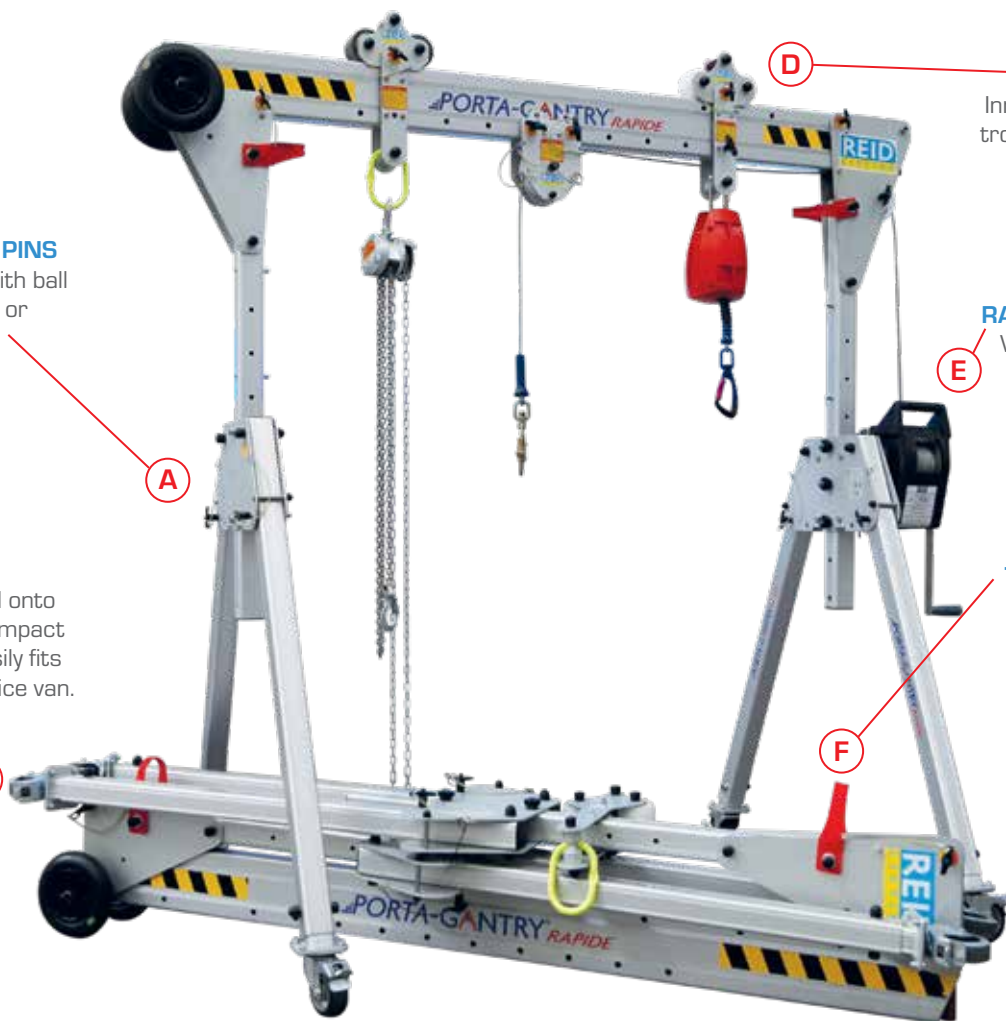
Frames easily fold onto beam, forming compact stowable unit. Easily fits into a typical service van.

B

STOW'N'GO

A handy storage container for safe shipping and transportation.

C



D

LOAD TROLLEY

Innovative quick release trolley or sheave carrier fitted in seconds.

E

RAPID ATTACHMENTS

Winching accessories can be easily added without the need for tools.

F

TRANSPORTABILITY

Easily transported by 1 person with integrated wheel and carry-handle or carried by 2 persons.

Total weight just 33kg.



PORTA-GANTRY RAPIDE Information:

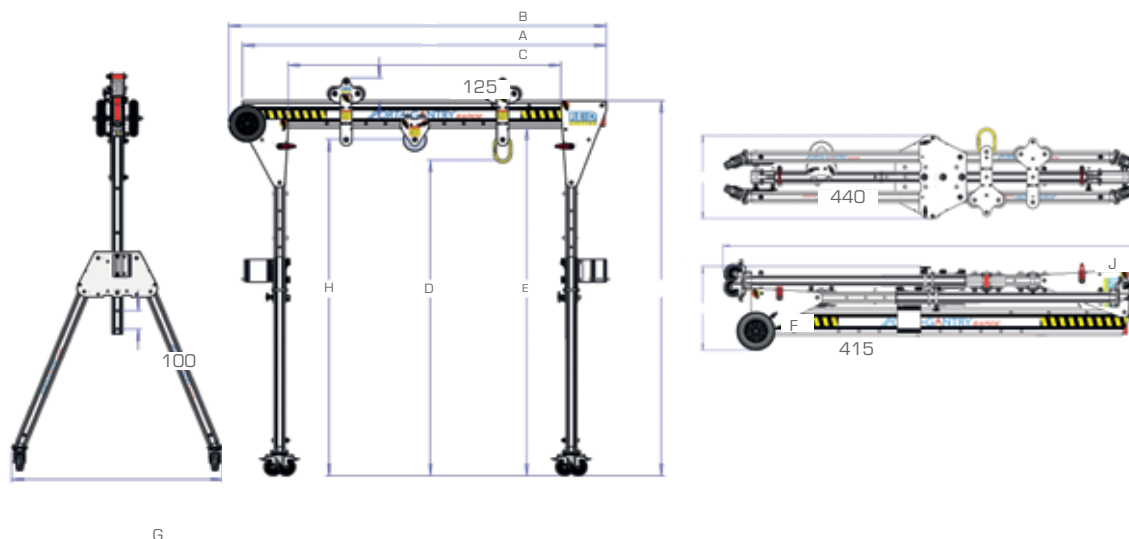
- **GOODS WLL** Up to 500kg
- **PERSONNEL WLL** Up to 250kg
- **3 PERSON FALL ARREST** In conformity with PD CEN/ TS16415:2013
- **1 PERSON FALL ARREST** EN795:2012 certified - as part of an EN363 compliant system and in conformity with ANSI Z359.18-17* & AS/NZS 5532:2013
- **ROPE ACCESS** Conforms to IRATA International Code of Practice for industrial rope access
- **ATEX** All models suitable for use in ATEX Zone 2 explosive atmospheres. ATEX Zone 1 is available as an upgrade
- **LIGHTWEIGHT & PORTABLE** Within manual handling guidelines, weighing only 33kg

* ANSI Z359.18-17 applies to 2m and 2.3m beams

- **CONFIGURATIONS** Range of beam lengths up to 4m and configurations available
- **EASY USE**
 - Trolleys – gated and fully encapsulated for ease of deployment and safety
 - Adaptable, multi-purpose trolleys – goods and personnel rated
 - Load bearing, lockable castors for easy positioning (ACOP advises no gantry movement under load except where a competent person has undertaken a suitable Risk Assessment & Method Statement and has deemed appropriate)

Notified Body Approval SGS UK (0120); Patented & registered designs.

PORTA-GANTRY RAPIDE Dimensions



	Dimensions (mm)														WLL			Unit Weight
	A Beam Length	B	C _{Min}	C _{Max}	D _{Min}	D _{Max}	E _{Min}	E _{Max}	F _{Min}	F _{Max}	G	H _{Min}	H _{Max}	J	Goods Capacity (kg)	Fall Arrest Capacity* (Persons)	Personnel* (kg)	(kg)
PGRS20	2000	2076	1100	1500	1738	1938	1914	2114	2064	2264	1158	1850	2050	2190	500	3	250	33
PGRS23	2300	2376	1200	1800										2376	400	2	200	34
PGRS40	4000	4076	2700	3500										4076	250	1	125	40
PGRM20	2000	2076	1100	1500	1642	2042	1818	2218	1968	2368	1215	1755	2155	2076	400	2	200	34
PGRM23	2300	2376	1200	1800										2376				34
PGRM40	4000	4076	2700	3500										4076	40			
PGRT20	2000	2076	1100	1500	1916	2816	2092	2992	2242	3142	1586	2028	2928	2631	250	1	125	38
PGRT23	2300	2376	1200	1800										2631				39
PGRT40	4000	4076	2700	3500										4076	44			

*Ratings using European standards. Contact REID for other standards.

PGRPO/EN/V5/2018/10