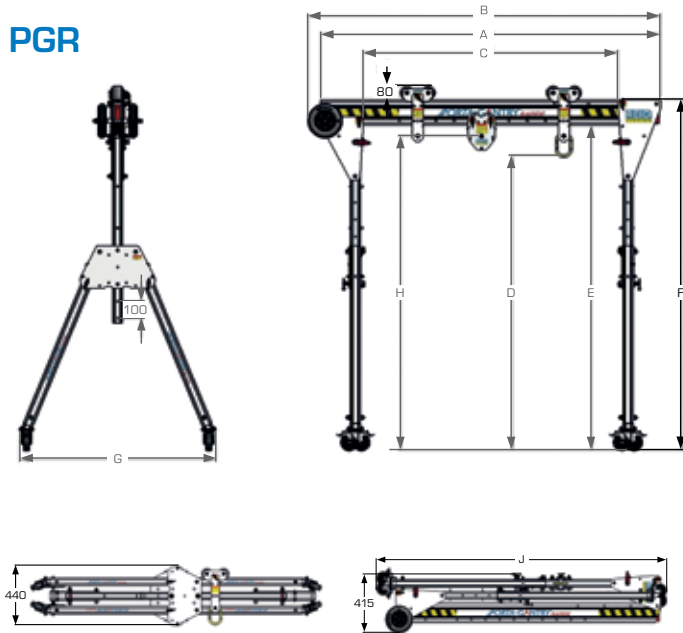


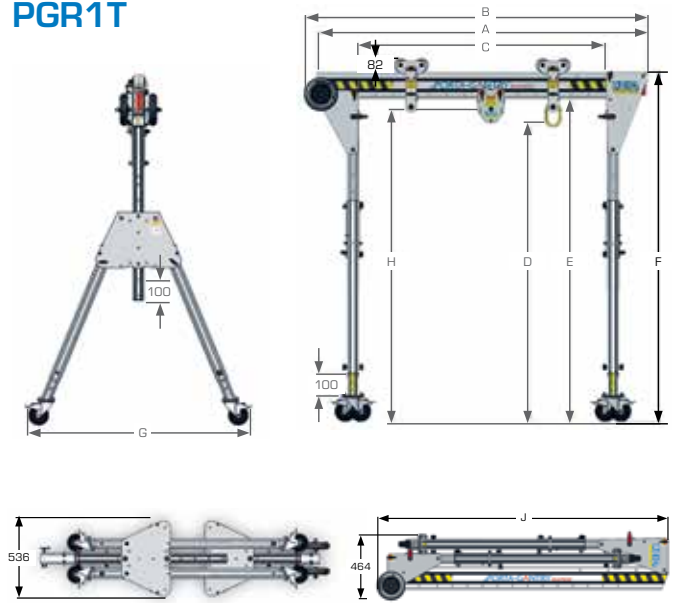


PORTA-GANTRY RAPIDE Dimensions (mm)

PGR



PGR1T



	Dimensions (mm)														WLL			Unit Weight			
	A Beam Length	B	C <sub>Min</sub>	C <sub>Max</sub>	D <sub>Min</sub>	D <sub>Max</sub>	E <sub>Min</sub>	E <sub>Max</sub>	F <sub>Min</sub>	F <sub>Max</sub>	G	H <sub>Min</sub>	H <sub>Max</sub>	J	Goods Capacity (kg)	Fall Arrest Capacity* No of Person(s)	Personnel Positioning** (kg)	(kg)			
PGRS20	2000	2076	1100	1500	1438	1938	1614	2114	1764	2264	1158	1550	2050	2190	500	3	250	33			
PGRS23	2300	2376	1200	1800										2376	400	2	200	35			
PGRS40	4000	4076	2700	3500										4076	250	1	125	40			
PGRM20	2000	2076	1100	1500	1442	2042	1618	2218	1768	2368	1215	1555	2155	2076	400	2	200	35			
PGRM23	2300	2376	1200	1800										2376				400	2	200	36
PGRM40	4000	4076	2700	3500										4076	250	1	125	41			
PGRT20	2000	2076	1100	1500	1916	2816	2092	2992	2242	3142	1586	2028	2928	2631	250	1	125	39			
PGRT23	2300	2376	1200	1800										2631				400	2	200	40
PGRT40	4000	4076	2700	3500										4076				250	1	125	45
PGR1TS20	2000	2077	1102	1502	1430	1930	1661	2161	1822	2322	1270	1549	2049	2077	1000	3	500	45			
PGR1TS30	3000	3077	1902	2502										3077	1000	3	500	53			
PGR1TS40	4000	4077	1902	3502										4077	1000	3	500	58			
PGR1TM20	2000	2077	1102	1502	1740	2440	1900	2600	2061	2761	1484	1859	2559	2200	1000	3	500	49			
PGR1TM30	3000	3077	1902	2502										3077	1000	3	500	54			
PGR1TM40	4000	4077	1902	3502										4077	1000	3	500	59			
PGR1TT20*	2000	2077	598	1050	1980	2880	2140	3040	2301	3201	1698	2099	2999	2830	1000	3	500	53			
PGR1TT30*	3000	3077	1417	2017										3077	1000	3	500	58			
PGR1TT40*	4000	4077	2385	2985										4077	1000	3	500	62			

\*Trolley stops fitted to beam

\*\*Ratings using European standards. Contact REID for other standards.