

# PORTA-GANTRY® RAPIDE 500-1000



Unique, ultra-light & rapidly deployable gantry that provides a versatile lifting solution for goods and personnel.



500 -1000KG  
WLL



1-2  
Person



33 - 42KG  
Compact Storage



EN795

(S) = Small (M) = Medium (T) = Tall (see table)

The **PORTA-GANTRY RAPIDE** adds exciting new dimensions to the **PORTA-GANTRY** family.

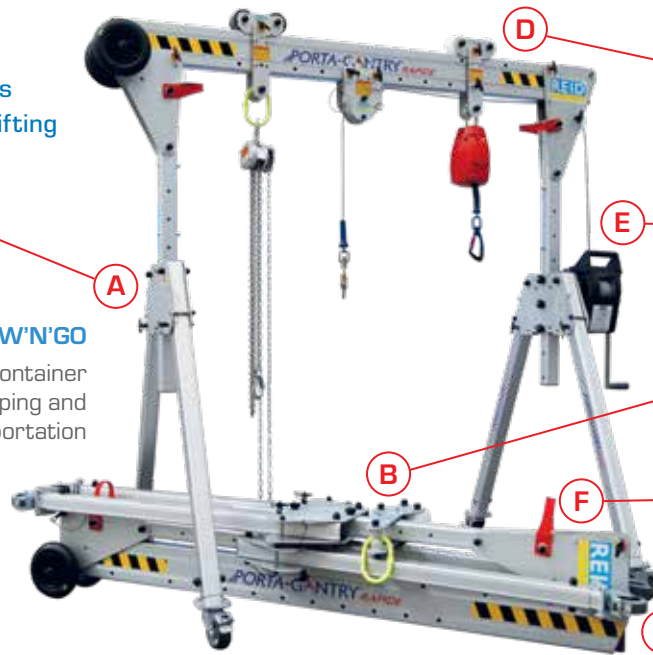
A patented gantry that can be assembled in under 60 seconds for both goods and personnel lifting (man-ride) applications.

### QUICK RELEASE PINS

Quick assembly with ball lock pins, no bolts or tools required

### STOW'N'GO

A handy storage container for safe shipping and transportation



ASSEMBLY  
VIDEO

### LOAD TROLLEY

Innovative quick release gated trolley or sheave carrier fitted in seconds

### RAPID ATTACHMENTS

Winching accessories can be easily added without the need for tools

### COMPACT

Frames easily fold onto beam, forming compact stowable unit. Easily fits into a typical service van

### TRANSPORTABILITY

Easily transported by 1 person with integrated wheel and carry-handle or carried by 2 persons



## PORTA-GANTRY RAPIDE 500-1000 Information:

- **GOODS WLL** Up to 1000kg
- **PERSONNEL WLL** Up to 500kg positioning depending on model, 150kg fall arrest
- **HEIGHT ADJUSTMENT** Range 500 to 900mm (see table)
- **3 PERSON FALL ARREST** In conformity with PD CEN/TS16415:2013 (see table)
- **1 PERSON FALL ARREST** EN795:2012 certified - as part of an EN363 compliant system and in conformity with ANSI Z359.18-17\* and AS/NZS 5532:2013
- **ROPE ACCESS** Conforms to IRATA International Code of Practice for industrial rope access
- **ATEX** All models suitable for use in ATEX Zone 2 explosive atmospheres. ATEX Zone 1 is available as an upgrade PGR 500 only
- **LIGHTWEIGHT & PORTABLE** Within manual handling guidelines, weighing from only 33kg for PGR500 and 42kg for PGR1000
- **CONFIGURATIONS** Range of beam lengths up to 4m and configurations available
- **GATED TROLLEY** Rapid deployment - mounted in seconds
- **FOOTINGS** Height adjustable legs - 2 x 50mm adjustment / on each leg with castors or levelling foot options
- **BEAM HOLES** Sheave carrier and Trolley lock off holes across the full length of the beam

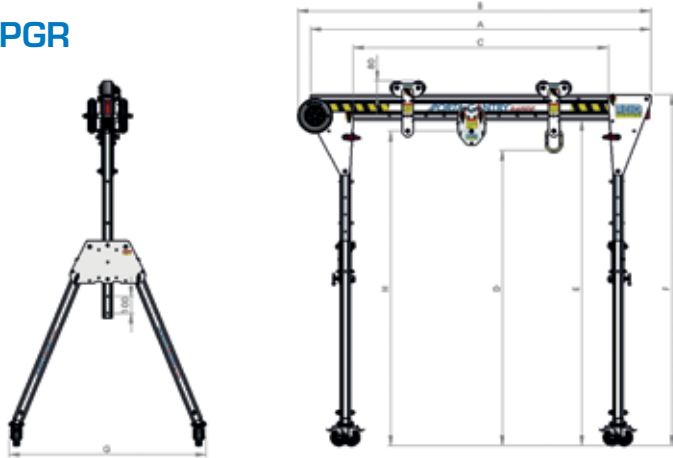
\* ANSI Z359.18-17 applies to 2m and 2.3m beams on PGR500 and full range of PGR1000

Patented & registered designs.

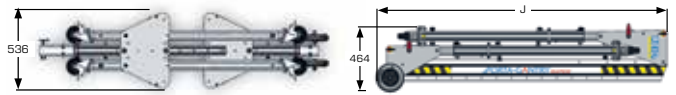
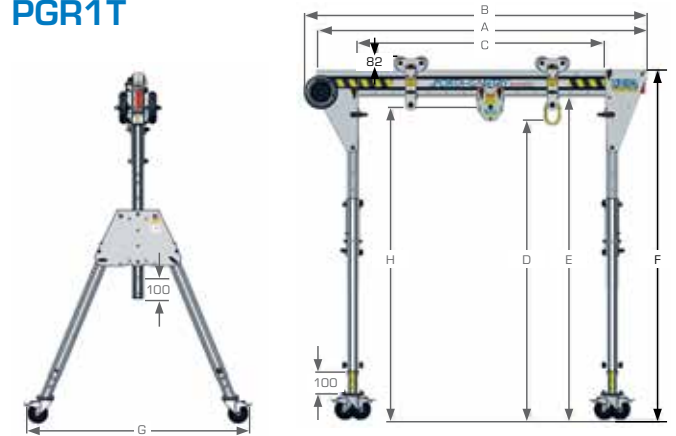


**PORTA-GANTRY RAPIDE Dimensions (mm)**

**PGR**



**PGR1T**



	Dimensions (mm)														WLL			Unit Weight			
	A Beam Length	B	C Min	C Max	D Min	D Max	E Min	E Max	F Min	F Max	G	H Min	H Max	J	Goods Capacity (kg)	Fall Arrest Capacity* No of Person(s)	Personnel Positioning* (kg)	(kg)			
PGRS20	2000	2076	1100	1500	1438	1938	1614	2114	1764	2264	1158	1550	2050	2076	500	3	250	33			
PGRS23	2300	2376	1200	1800										2376	400	2	200	35			
PGRS40	4000	4076	2700	3500										4076	250	1	125	40			
PGRM20	2000	2076	1100	1500	1442	2042	1618	2218	1768	2368	1215	1555	2155	2076	400	2	200	35			
PGRM23	2300	2376	1200	1800										2376				400	2	200	36
PGRM40	4000	4076	2700	3500										4076	400	2	200	41			
PGRT20	2000	2076	1100	1500	1916	2816	2092	2992	2242	3142	1586	2028	2928	2631	250	1	125	39			
PGRT23	2300	2376	1200	1800										2631				400	1	125	40
PGRT40	4000	4076	2700	3500										4076				400	1	125	45
PGR1TS20	2000	2077	1102	1502	1430	1930	1661	2161	1822	2322	1270	1549	2049	2077	1000	3	500	42			
PGR1TS30	3000	3077	1902	2502										3077				1000	3	500	50
PGR1TS40	4000	4077	1902	3502										4077				1000	3	500	55
PGR1TM20	2000	2077	1102	1502	1740	2440	1900	2600	2061	2761	1484	1859	2559	2200	1000	3	500	46			
PGR1TM30	3000	3077	1902	2502										3077				1000	3	500	51
PGR1TM40	4000	4077	1902	3502										4077				1000	3	500	56
PGR1TT20	2000	2077	1102	1502	1980	2880	2140	3040	2301	3201	1698	2099	2999	2830	1000	3	500	50			
PGR1TT30	3000	3077	1902	2502										3077				1000	3	500	55
PGR1TT40	4000	4077	1902	3502										4077				1000	3	500	59

\*Ratings using European standards. Contact REID for other standards.