

# PORTA-GANTRY® RAPIDE 1000



Unique, ultra-light & rapidly deployable gantry that provides a versatile lifting solution for goods and personnel.



250 - 1000KG WLL



1-2 Person



45KG Compact Storage



EN795

(S) = Small (M) = Medium (T) = Tall (see table)



**NEW 2019**

### INCREASED WLL

The WLL has been increased to 1000 Kg

**NEW 2019**

### LOCK OFF HOLES

Sheave carrier and trolley lock off holes across full length of beam

**NEW 2019**

### WINCH ATTACHMENT

Additional hole for ease of winch and fall arrest attachment



**NEW 2019**

### EXTRA HEIGHT

Telescopic height adjustable footings with rapid attachment

**NEW 2019**

### GATED TROLLEY

Reduced head height



ASSEMBLY VIDEO

**NEW 2019**

### INCREASED HEIGHT ADJUSTMENT RANGE

**NEW 2019**

### COMPACT

Frames easily fold onto beam forming compact, stowable unit. Fits into a typical service van - **Dimension J is reduced!**

### TRANSPORTABILITY

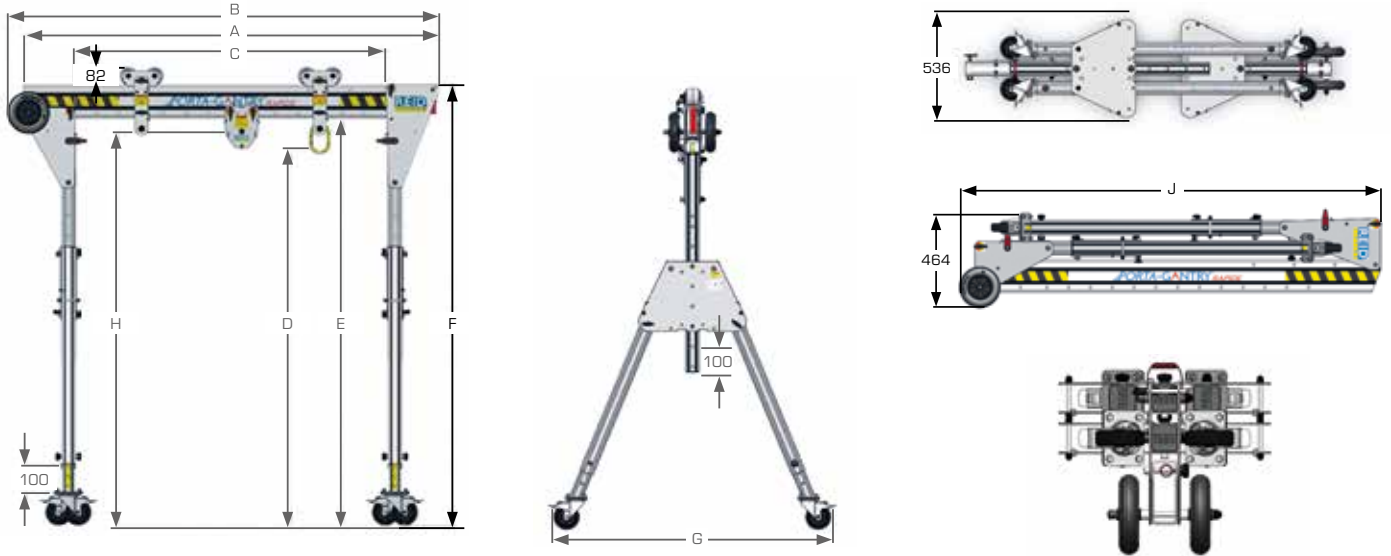
Total weight from just 45kg. Easily transportable by 1 person with integrated wheel and handle

## PORTA-GANTRY RAPIDE 1000 Information:

- **GOODS WLL** Increased working load limit to 1000kg across the entire **RAPIDE 1000** range
- **BEAM LENGTH** 2m, 3m & 4m beams as standard
- **HEIGHT ADJUSTMENT** Increased height adjustment range in all **RAPIDE 1000** configurations
- **PERSONNEL WLL** Up to 500kg positioning, 150kg fall arrest
- **3 PERSON FALL ARREST** In conformity with PD CEN/TS16415:2013
- **1 PERSON FALL ARREST** EN795:2012 certified - as part of an EN363 compliant system and in conformity with ANSI Z359.18-17 and AS/NZS 5532:2013
- **ROPE ACCESS** Conforms to IRATA International Code of Practice for industrial rope access
- **ATEX** All models suitable for use in ATEX Zone 2 explosive atmospheres
- **LIGHTWEIGHT & PORTABLE** Within manual handling guidelines, weighing from only 45kg
- **CONFIGURATIONS** Range of beam lengths up to 4m and configurations available
- **GATED TROLLEY** Mounted in seconds, now with reduced head height
- **FOOTINGS** Height adjustable legs - 2 x 50mm adjustment on each leg with castors or levelling foot options
- **TRAP PLATE** Additional hole spacing for ease of winch bracket attachment
- **BEAM HOLES** Sheave carrier and Trolley lock off holes across the full length of the beam

Patented & registered designs.

## PORTA-GANTRY RAPIDE 1000 Dimensions



	Dimensions (mm)														WLL			Unit Weight (kg)
	A	B	C <sub>Min</sub>	C <sub>Max</sub>	D <sub>Min</sub>	D <sub>Max</sub>	E <sub>Min</sub>	E <sub>Max</sub>	F <sub>Min</sub>	F <sub>Max</sub>	G	H <sub>Min</sub>	H <sub>Max</sub>	J	Goods Capacity (kg)	Fall Arrest Capacity* No of Person(s)	Personnel Positioning** (kg)	
PGR1TS20	2000	2077	1102	1502	1430	1930	1661	2161	1822	2322	1270	1549	2049	2077	1000	3	500	45
PGR1TS30	3000	3077	1902	2502										3077	1000	3	500	53
PGR1TS40	4000	4077	1902	3502										4077	1000	3	500	58
PGR1TM20	2000	2077	1102	1502	1740	2440	1900	2600	2061	2761	1484	1859	2559	2200	1000	3	500	49
PGR1TM30	3000	3077	1902	2502										3077	1000	3	500	54
PGR1TM40	4000	4077	1902	3502										4077	1000	3	500	59
PGR1TT20*	2000	2077	598	1050	1980	2880	2140	3040	2301	3201	1698	2099	2999	2830	1000	3	500	53
PGR1TT30*	3000	3077	1417	2017										3077	1000	3	500	58
PGR1TT40*	4000	4077	2385	2985										4077	1000	3	500	62

\*Trolley stops fitted to beam

\*\*Ratings using European standards. Contact REID for other standards.

## Easy assembly by 1 person in less than 60 seconds:

