

PORTA-GANTRY[®] *RAPIDE*

COMPULSORY MODIFICATION KIT
REPORT NUMBER: PGR085



ASSEMBLY VIDEO

RETROFIT ASSEMBLY GUIDE

www.reidlifting.com



No. 1 in lightweight, portable, safe lifting solutions

CONTENTS

INTRODUCTION

ASSEMBLY INSTRUCTIONS

- What the Modification Kit contains
- Disassembly & Assembly of *RAPIDE* Oversized Cheek Plates
- Disassembly & Assembly of *RAPIDE* Standard Size Cheek Plates

QUALITY & SAFETY

- Accreditations

TESTING

PRODUCT IPR

INTRODUCTION

All users attempting to install the retrofit assembly Cheek Plate kit must read these instructions carefully prior to modifying the structure. The assembly instructions contain important information on how to replace the Cheek Plates in a safe, correct and economic way. Acting in accordance with these instructions helps to avoid dangers, reduce repair costs and down time and to increase the reliability and lifetime of the *PORTA GANTRY RAPIDE*.

Anyone involved in doing any of the following work with the gantry must read the operation instructions and act accordingly:

- Operation, including preparation, troubleshooting during operation and cleaning
- Maintenance, inspection, repair
- Transport

Apart from the operating guide and retrofit assembly guide, health and safety and accident prevention act valid for the respective country and area where the gantry frame is used, the commonly accepted regulations for safe and professional work must be adhered to.

It is incumbent on the user or instigator of work with the equipment that all users have suitable medical and physical capabilities.

Should you require any further assistance, please contact your local REID representative

.N.B. This document should form an element of the overriding Risk Assessment and Method Statement required for each lift.

ASSEMBLY INSTRUCTIONS

N.B. Appropriate PPE should be worn:



Gloves

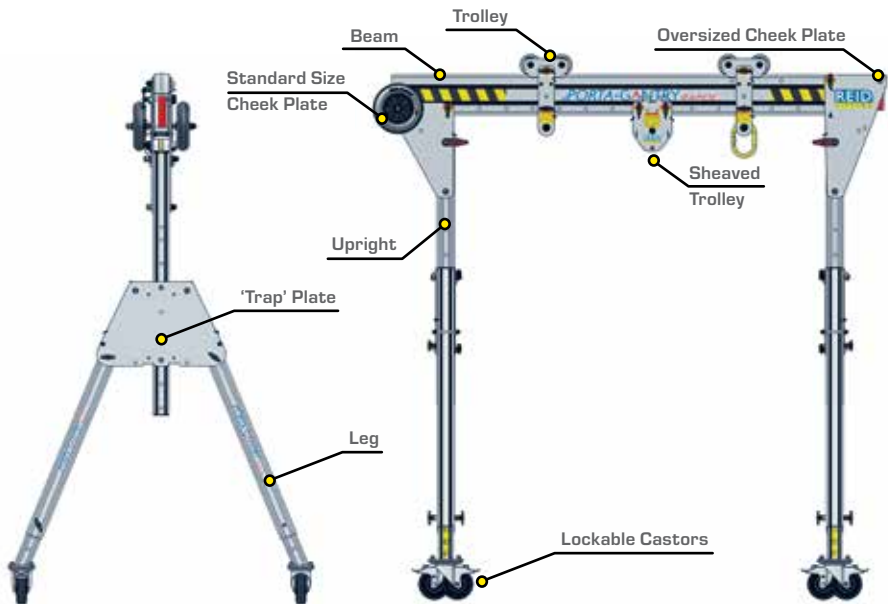


Protective footwear



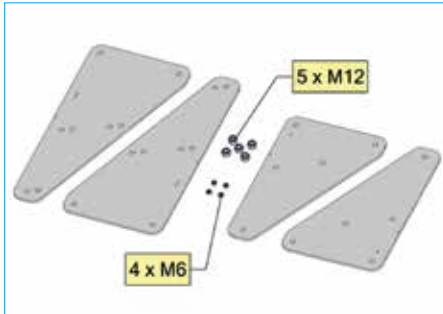
Hard hat

The *PORTA-GANTRY RAPIDE* and its constituent components are described in the image below.



No. 1 in lightweight, portable, safe lifting solutions

What the Modification Kit contains



2 x Standard Size Cheek Plates

2 x Oversized Cheek Plates

5 x M12 Nyloc Nuts

4 x M6 Nyloc Nuts



Allen Key: 10mm

Hex Socket or Spanner: 10mm

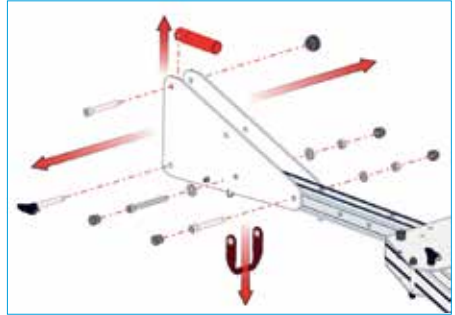
19mm

Screwdriver: Flat Head Screwdriver

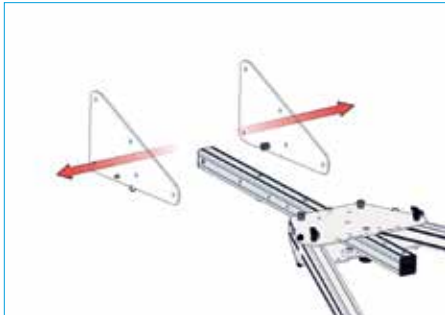
Disassembly & Assembly of *RAPIDE* Oversized Cheek Plates



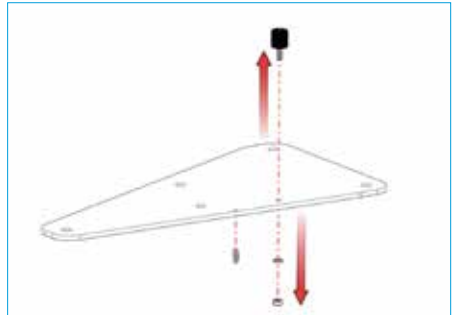
- 01.** By hand, undo the knurled knob and remove the M12 x 90 Cap Head Bolt and red beam handle. Whilst carrying out this process, ensure that the beam is fully supported to prevent the risk of an accident.



- 02.** Using a 19mm socket and a 10mm Allen Key, remove the M12 x 90 Cap Head Bolt and M12 x 110 Cap Head Bolt whilst ensuring that both Cheek Plates are supported. Also remove the M12 x 80 Ball Lock Pin by hand.



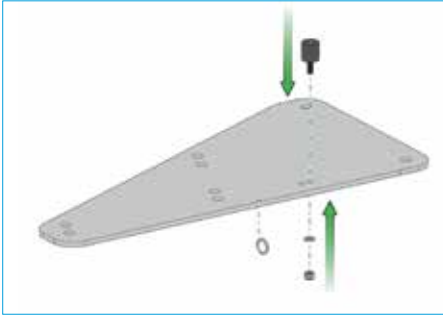
- 03.** Remove the old Oversized Cheek Plates from the Upright once the fasteners have been removed.



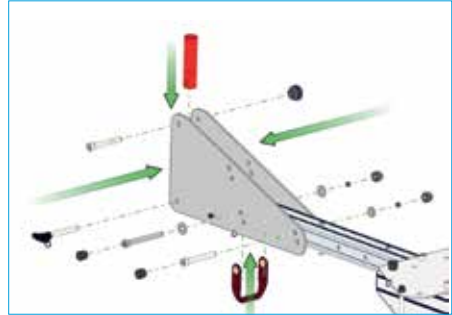
- 04.** Using a 10mm socket or spanner, remove the Rubber Beam stops from the Cheek Plates. Using a Flat Head Screw Driver, also remove the Pull Ring which is attached to the M12 Ball Lock Pin.

..:PORTA-GANTRY® *RAPIDE*

No. 1 in lightweight, portable, safe lifting solutions



05. Attach the Rubber Beam Stops and Pull Ring (Pull Ring to be attached to one plate only) to the new Oversized Cheek Plates.



06. Attach the new Oversized Cheek Plates to the upright ensuring that the M12 fixings are not overtightened resulting in deformation to the upright box section. Tools required to attach the M12 fasteners are a 19mm socket and a 10mm Allen Key.

NB: The red carry strap sits directly onto the cheek plates and is secured by the top upright M12 x 110 Cap Head bolt.



07. Attach the beam to the new cheek plates as shown in Figure 7. Tighten the knurled knob by hand.

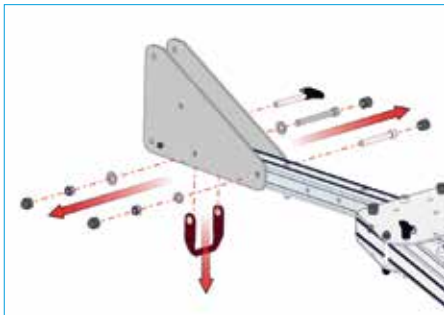
Disassembly & Assembly of *RAPIDE* Standard Size Cheek Plates



08. Using a 19mm socket and a 10mm Allen Key, undo the M12 x 260 Cap Head Bolt allowing for the transport wheels to be removed from the frame. Whilst carrying out this process, ensure that the beam is fully supported to prevent the risk of an accident.



09. Whilst removing the beam from the Cheek Plates, remove the two M12 Nylon washers which sit between the inside of the Cheek Plates and the outside of the beam.

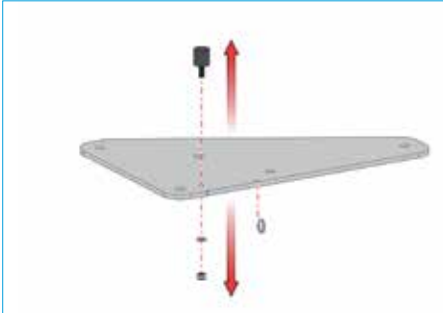


10. Using a 19mm socket and a 10mm Allen Key, remove the M12 x 90 Cap Head Bolt and M12 x 110 Cap Head Bolt whilst ensuring that both Cheek Plates are supported. Also remove the M12 x 80 Ball Lock Pin by hand.



11. Using a 10mm socket or spanner, remove the Rubber Beam stops from the Cheek Plates. Using a Flat Head Screw Driver, also remove the Pull Ring which is attached to the M12 Ball Lock Pin.

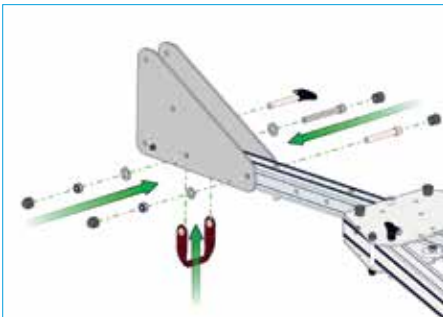
No. 1 in lightweight, portable, safe lifting solutions



12. Using a 10mm socket or spanner, remove the Rubber Beam stops from the Cheek Plates. Using a Flat Head Screw Driver, also remove the Pull Ring which is attached to the M12 Ball Lock Pin.



13. Attach the Rubber Beam Stops and Pull Ring (Pull Ring to be attached to one plate only) to the new Standard Cheek Plates using the new M6 Nyloc Nuts supplied.

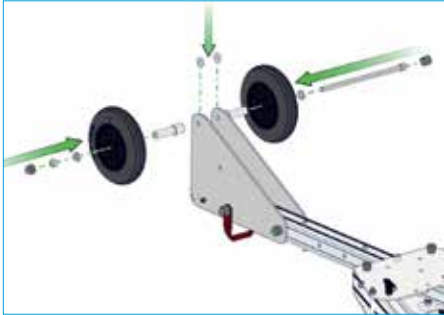


14. Attach the new Standard Size Cheek Plates to the upright ensuring that the M12 fixings are not overtightened resulting in deformation to the upright box section. Tools required to attach the M12 fasteners are a 19mm socket and a 10mm Allen Key.

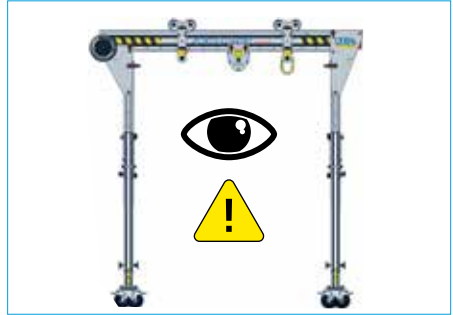
NB: The red carry strap sits directly onto the cheek plates and is secured by the top upright M12 x 110 Cap Head bolt.



- 15a. Attach the transport wheels to the standard Size Cheek Plates using a 19mm socket and a 10mm Allen Key. Ensure that the two M12 Nylon washers sit between the beam and the cheek plates. This can be seen in Figure 17b.



15b. Before fixing the transport wheels, ensure that the Nylon washers sit on the M12 x 260 Cap Head Bolt and are between the Cheek Plates and beam.



16. Once all the above steps are complete, carry out final checks ensuring that all fixings are appropriately fastened.

QUALITY & SAFETY

ACCREDITATIONS

Quality and safety are key themes throughout this document and the REID Lifting ethos. It is with this in mind that we have undertaken external accreditations to ensure we stay focused on what is important to our clients and users, and ahead of market trends and developments.

REID Lifting is continuously audited by Lloyds Register Quality Assurance (LRQA) (CE body no. 0088) for approval of its Integrated Management System combining quality systems management, environmental issues and the health and safety practices within the company.

- **ISO 9001:2015** - Specifies requirements for a quality management system for any organisation that needs to demonstrate its ability to consistently provide products that meet customer and applicable regulatory requirements and aims to enhance customer satisfaction
- **ISO 14001:2015** - Specifies the requirements for implementing environmental management systems throughout all areas of the company
- **OHSAS 18001:2007** - Occupational health and safety management system
- **LEEA Membership** - REID Lifting is a full member of the Lifting Equipment Engineers Association (LEEA membership 000897). REID Lifting conforms to the main aims of the association which is to achieve the highest standards of quality and integrity in the operations of members. Entry qualifications are demanding and strictly enforced through technical audits based on the Technical Requirements for Members
- **IRATA** - REID Lifting is an associate member of the Industrial Rope Access Trade Association (IRATA International membership number 148). REID Lifting works in accordance with the IRATA Code of Practice, by doing so, contributes to promote the development of safe systems



Conformité Européenne (CE)

REID Lifting's products have been designed, tested and approved (as appropriate) by the Conformité Européenne. This certifies that REID Lifting's products meet the demands of the European Directives and Regulations regarding health and safety requirements. The EC type-examination for this device has been carried out by SGS United Kingdom Ltd, 202b, Worle Parkway, Weston-super-Mare, BS22 6WA, United Kingdom (CE body no.0120) in accordance with Module B of the PPE Regulation. The EC quality assurance system for this device has been carried out by Lloyd's Register Quality Assurance Limited, 1, Trinity Park, Bickenhill Lane, Birmingham B37 7ES, United Kingdom (CE body no. 0088) in accordance with Module D PPE Regulation (EU) 2016/425.

The Queen's Award for Enterprise

REID Lifting has been awarded this prestigious award on four occasions for design, development and sale of lightweight, portable and safe lifting solutions.



- Innovation category 2006 and 2013
- International Trade 2013 and 2018

TESTING

Testing and Technical File review are integral parts of our design and manufacturing process. External verification of products is undertaken where appropriate, using government approved Notified Bodies.

All products have been thoroughly type tested at UKAS accredited laboratories. Each system is supplied with a certificate of conformance and individual record of thorough examination or test.

Full product design and development Technical Files are available for inspection.

PRODUCT IPR

Intellectual property rights apply to all REID Lifting Ltd products. **There are patents in place, or pending, for:**

PORTA-GANTRY | PORTA-GANTRY RAPIDE | PORTA-DAVIT QUANTUM | T-DAVIT

All product names are trade-marks of REID Lifting Ltd:

PORTA-GANTRY | PORTA-GANTRY RAPIDE | PORTA-DAVIT | PORTA-BASE | T-DAVIT | PORTA-GUAD

E&OE

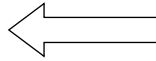
INSPECTION



INSPECTION RECORD

Unit 1 Wynless, Newhouse Farm Industrial Estate, Chepstow, Monmouthshire, NP18 6UD, UK www.reidlifting.com +44 (0)1291 620 796	
Product No.:	XXXXXXXX
Serial Number:	XX XX XXXXX
WLL:	XXXX kg GOODS
Year of Manufacture:	20XX
Standards:	EN795:2012*
ATEX:	II 3 GD T6
*For max. 150kg fall arrest, single person use	
CE 0088	

A
B
C
D



* Insert data from serial numbers found on product into table below

Product number(s)* A			
Serial number(s)* B			
WLL* C			
Year of manufacture* D			
Name of user			
Date of purchase			
Date of first use			
Periodic Examination and Repair History			
Date	Inspected by	Pass/Fail	Comments

**t** +44 (0)1291 620796**e** sales@reidlifting.com**w** www.reidlifting.com

UK

REID Lifting
Unit 1 Wyview, Newhouse Farm Ind. Estate,
Chepstow, Monmouthshire, NP16 6UD, UK

t +44 (0)1291 620 796
f +44 (0)1291 626 490
e enquiries@reidlifting.com
w www.reidlifting.com

SWEDEN

2LIFT AB
C / O JJ-Group AB
Tryckarevägen 10
434 37 Kungsbacka SWEDEN

t +46 (0)7342 26155
e info.2lift@jjgruppen.se
w www.jjgruppen.se

ITALY

F.A.S. S.p.A.
Via dei Lavoratori 118/120
20092 Cinisello Balsamo ITALY

t +39 (0)2612 4951
e s.scarpetta@fasitaly.com
w www.fasitaly.com

USA

Thern, Inc.
5712 Industrial Park Road
PO Box 347, Winona, MN 55987, USA

t +1 507 454 2996
f +1 507 454 5282
e info@thern.com
w www.thern.com

FRANCE

REID Lifting France
P.A. de Kerboulard, Rue Gutenberg
56250 Saint-Nolf FRANCE

t +33 (0)297 53 32 99
f +33 (0)297 53 04 86
e contact@reidlifting.fr
w www.reidlifting.fr

DE & AUT & CH

REID Lifting D-A-CH
Finkenstrasse 26
8280 Kreuzlingen SWITZERLAND

t +41 (0)71 686 90 40
f +41 (0)71 688 51 69
e jesser@reidlifting.de
w www.ecolistec.ch
w www.reidlifting.de

AUSTRALIA

Vector Lifting
43 Spencer Street
Jandakot, WA 6164 AUSTRALIA

t +61 (0)8 9417 9128
f +61 (0)8 9417 4105
e info@vectorlifting.com.au
w www.vectorlifting.com.au

CANADA

Equipment Corps Inc.
1256 Arvin Avenue, Stoney Creek
On L8E 0H7 CANADA

t +1 905 545 1234
f +1 905 545 1270
e sales@equipmentcorps.com
w www.equipmentcorps.com

