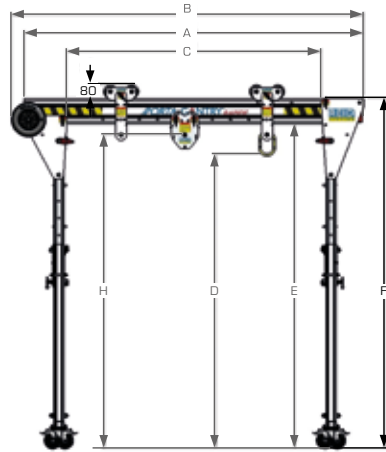
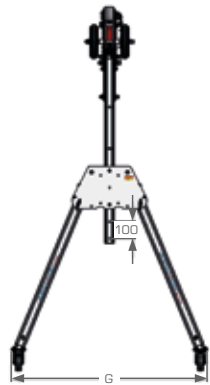
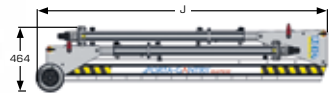
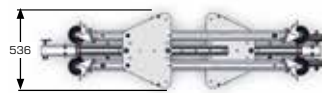
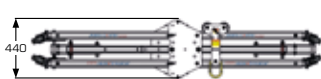
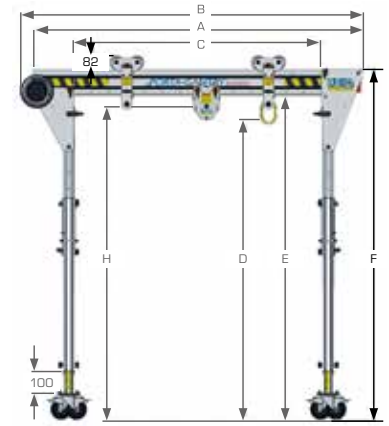


PORTA-GANTRY RAPIDE Dimensions (mm)

PGR



PGR1T



| | Dimensions (mm) | | | | | | | | | | | | | WLL | | | Unit Weight (kg) | |
|-----------|-----------------|------|------------------|------------------|------------------|------------------|------------------|------------------|------------------|------------------|------|------------------|------------------|------|---------------------|--|------------------|------------------------------|
| | A Beam Length | B | C _{Min} | C _{Max} | D _{Min} | D _{Max} | E _{Min} | E _{Max} | F _{Min} | F _{Max} | G | H _{Min} | H _{Max} | J | Goods Capacity (kg) | Fall Arrest Capacity** No of Person(s) | | Personnel Positioning** (kg) |
| PGRS20 | 2000 | 2076 | 1100 | 1500 | 1450 | 2050 | 1626 | 2226 | 1776 | 2376 | 1158 | 1572 | 2172 | 2080 | 500 | 3 | 250 | 33 |
| PGRS23 | 2300 | 2376 | 1200 | 1800 | | | | | | | | | | 2380 | 400 | 2 | 200 | 35 |
| PGRS40 | 4000 | 4076 | 2700 | 3500 | | | | | | | | | | 4080 | 250 | 1 | 125 | 40 |
| PGRM20 | 2000 | 2076 | 1100 | 1500 | 1454 | 2154 | 1630 | 2330 | 1780 | 2480 | 1215 | 1567 | 2267 | 2080 | 400 | 2 | 200 | 35 |
| PGRM23 | 2300 | 2376 | 1200 | 1800 | | | | | | | | | | 2380 | | | | 36 |
| PGRM40 | 4000 | 4076 | 2700 | 3500 | | | | | | | | | | 4080 | | | | 41 |
| PGR20 | 2000 | 2076 | 1100 | 1500 | 1928 | 2928 | 2104 | 3104 | 2254 | 3254 | 1586 | 2040 | 3040 | 2645 | 250 | 1 | 125 | 39 |
| PGR23 | 2300 | 2376 | 1200 | 1800 | | | | | | | | | | 2380 | | | | 40 |
| PGR240 | 4000 | 4076 | 2700 | 3500 | | | | | | | | | | 4080 | | | | 45 |
| PGR1TS20 | 2000 | 2077 | 1102 | 1502 | 1430 | 1930 | 1661 | 2161 | 1822 | 2322 | 1270 | 1549 | 2049 | 2077 | 1000 | 3 | 500 | 45 |
| PGR1TS30 | 3000 | 3077 | 1902 | 2502 | | | | | | | | | | 3077 | | | | 53 |
| PGR1TS40 | 4000 | 4077 | 1902 | 3502 | | | | | | | | | | 4077 | | | | 58 |
| PGR1TM20 | 2000 | 2077 | 1102 | 1502 | 1740 | 2440 | 1900 | 2600 | 2061 | 2761 | 1484 | 1859 | 2559 | 2200 | 1000 | 3 | 500 | 49 |
| PGR1TM30 | 3000 | 3077 | 1902 | 2502 | | | | | | | | | | 3077 | | | | 54 |
| PGR1TM40 | 4000 | 4077 | 1902 | 3502 | | | | | | | | | | 4077 | | | | 59 |
| PGR1TT20* | 2000 | 2077 | 598 | 1050 | 1980 | 2880 | 2140 | 3040 | 2301 | 3201 | 1698 | 2099 | 2999 | 2830 | 1000 | 3 | 500 | 53 |
| PGR1TT30* | 3000 | 3077 | 1417 | 2017 | | | | | | | | | | 3077 | | | | 58 |
| PGR1TT40* | 4000 | 4077 | 2385 | 2985 | | | | | | | | | | 4077 | | | | 62 |

*Trolley stops fitted to beam

**Ratings using European standards. Contact REID for other standards.



t +44 (0)1291 620796

e sales@reidlifting.com

w www.reidlifting.com

UK

REID Lifting
Unit 1 Wyview, Newhouse Farm Ind. Estate,
Chepstow, Monmouthshire, NP16 6UD, UK

t +44 (0)1291 620 796
f +44 (0)1291 626 490
e enquiries@reidlifting.com
w www.reidlifting.com

DE & AUT & CH

REID Lifting D-A-CH
Finkernstrasse 26
8280 Kreuzlingen SWITZERLAND

t +41 (0)71 686 90 40
f +41 (0)71 688 51 69
e jesser@reidlifting.de
w www.ecolistec.ch
w www.reidlifting.de

ITALY

F.A.S. S.p.A.
Via dei Lavoratori 118/120
20092 Cinisello Balsamo ITALY

t +39 (0)2612 4951
e s.scarpetta@fasitaly.com
w www.fasitaly.com

USA

Thern, Inc.
5712 Industrial Park Road
PO Box 347, Winona, MN 55987, USA

t +1 507 454 2996
f +1 507 454 5282
e info@thern.com
w www.thern.com

FRANCE

REID Lifting France
P.A. de Kerboulard, Rue Gutenberg
56250 Saint-Nolff FRANCE

t +33 (0)297 53 32 99
f +33 (0)297 53 04 86
e contact@reidlifting.fr
w www.reidlifting.fr

SWEDEN

2LIFT AB
C / O JJ-Group AB
Tryckarevägen 10
434 37 Kungsbacka SWEDEN

t +46 (0)7342 26155
e info.2lift@jjgruppen.se
w www.jjgruppen.se

AUSTRALIA

Vector Lifting
43 Spencer Street
Jandakot, WA 6164 AUSTRALIA

t +61 (0)8 9417 9128
f +61 (0)8 9417 4105
e info@vectorlifting.com.au
w www.vectorlifting.com.au

CANADA

Equipment Corps Inc.
1256 Arvin Avenue, Stoney Creek
On L8E 0H7 CANADA

t +1 905 545 1234
f +1 905 545 1270
e sales@equipmentcorps.com
w www.equipmentcorps.com