

# PORTA-DAVIT<sup>®</sup> QUANTUM



600KG  
WLL



1  
person



From  
18.5KG



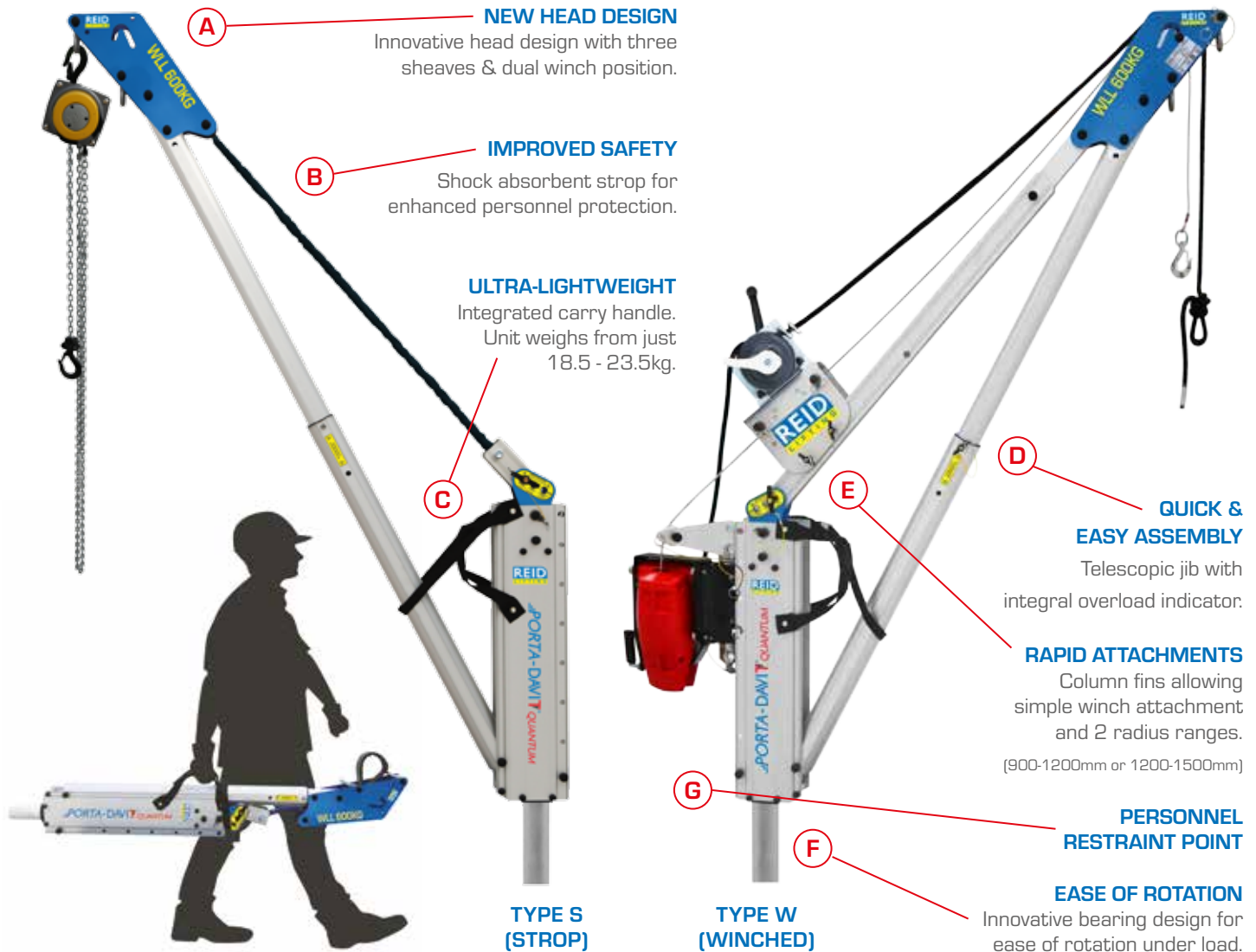
EN795

Strong yet ultra-light system with integrated carry handle, capable of lifting up to 600kg.

This unique, ultra-light and rapidly deployable system is the latest innovation to come from REID Lifting. With a WLL 600kg and weighing from just 18.5kg with an integrated carry-handle, the *PORTA-DAVIT QUANTUM* is easily transported and suitable for a range of applications.



ASSEMBLY  
VIDEO



**A** **NEW HEAD DESIGN**  
Innovative head design with three sheaves & dual winch position.

**B** **IMPROVED SAFETY**  
Shock absorbent stropp for enhanced personnel protection.

**C** **ULTRA-LIGHTWEIGHT**  
Integrated carry handle.  
Unit weighs from just 18.5 - 23.5kg.

**D** **QUICK & EASY ASSEMBLY**  
Telescopic jib with integral overload indicator.

**E** **RAPID ATTACHMENTS**  
Column fins allowing simple winch attachment and 2 radius ranges.  
(900-1200mm or 1200-1500mm)

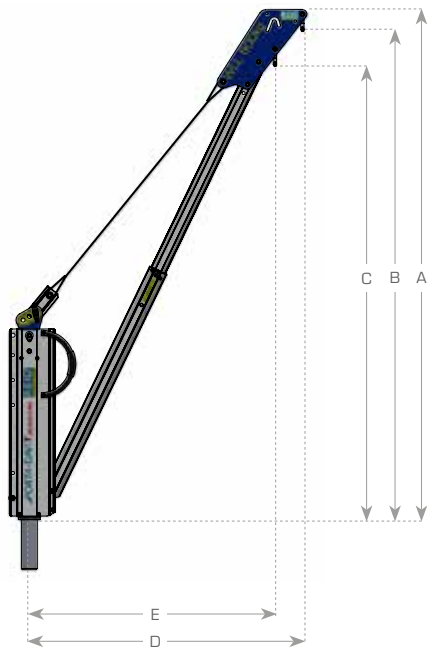
**F** **PERSONNEL RESTRAINT POINT**

**G** **EASE OF ROTATION**  
Innovative bearing design for ease of rotation under load.

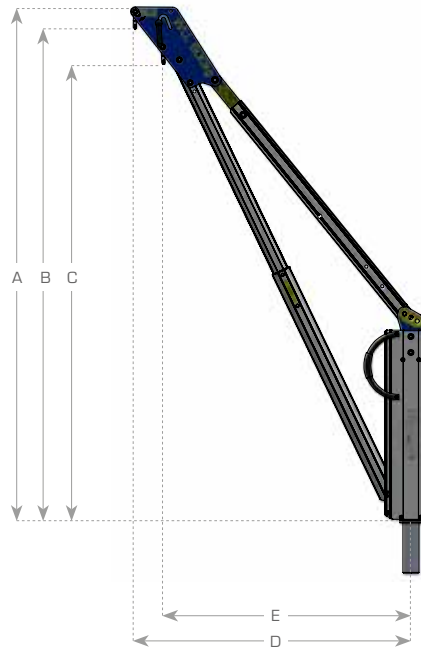
## PORTA-DAVIT QUANTUM Information

- **GOODS WLL**
  - *PORTA-DAVIT QUANTUM 1* - up to 600kg at 1200mm radius
  - *PORTA-DAVIT QUANTUM 2* - up to 500kg at 1500mm radius
- **PERSONNEL WLL** Up to 150kg at all configurations
- **1 PERSON FALL ARREST** EN795:2012 certified - as part of an EN363 compliant system
- **ATEX** Suitable for use in ATEX Zone 2 explosive atmospheres
- **LIGHTWEIGHT & PORTABLE** Manual handling compliant - fully assembled weight from just 18.5kg
  - Integrated carry handle
  - Bagged for easy transportation and storage
- **RAPID ASSEMBLY** No tools needed, assembles on just 1 pin (2 for winched)
- **RADIUS ADJUSTMENT** 900mm -1200mm or 1200mm -1500mm as standard
- **EASE OF ROTATION** 360° rotation under full load with fingertip control
- **CORROSION RESISTANT** Clean anodised finish to increase wear resistance
- **UNIVERSAL KINGPIN** Mates with all 65mm REID sockets (or sleeves for existing sockets)
  - Also suitable for use with socket extensions

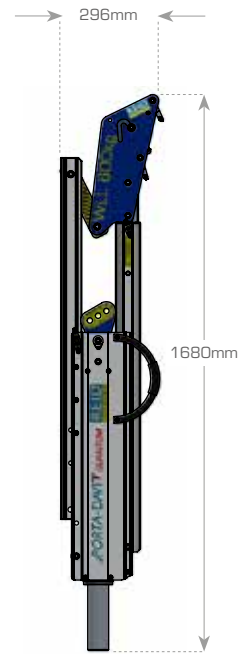
## PORTA-DAVIT QUANTUM Dimensions



Type S (Strop)

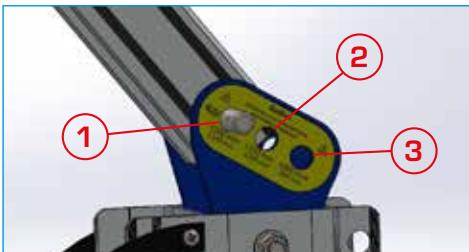


Type W (Winched)



Folded Dimensions

## Radius Adjustment Points



	WLL	Radius Adjustment Points	Dimensions (mm)				
			A	B	C	D	E
PDQ 1	600kg	1	2007	1935	1799	1200	1100
		2	2061	1989	1848	1100	1000
		3	2111	2039	1892	1000	900
PDQ 2	500kg	1	1837	1766	1647	1500	1400
		2	1899	1827	1703	1400	1300
		3	1957	1885	1755	1300	1200

## SOCKETS & EXTENSIONS:

Socket Extensions

The PORTA-DAVIT QUANTUM has been designed to fit all existing and new REID Lifting sockets and socket extensions.

Sockets

