

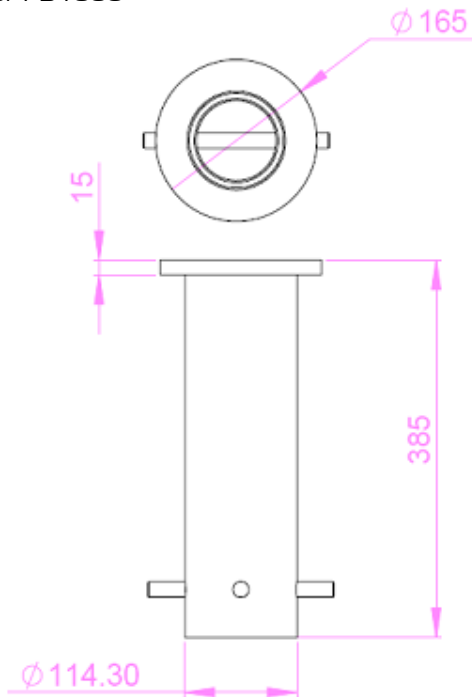
PORTA-DAVIT® 1000

Easy transport and manual assembly without compromising on strength or safety (up to 500kg). Custom configurations with industry-leading delivery times.

Sockets

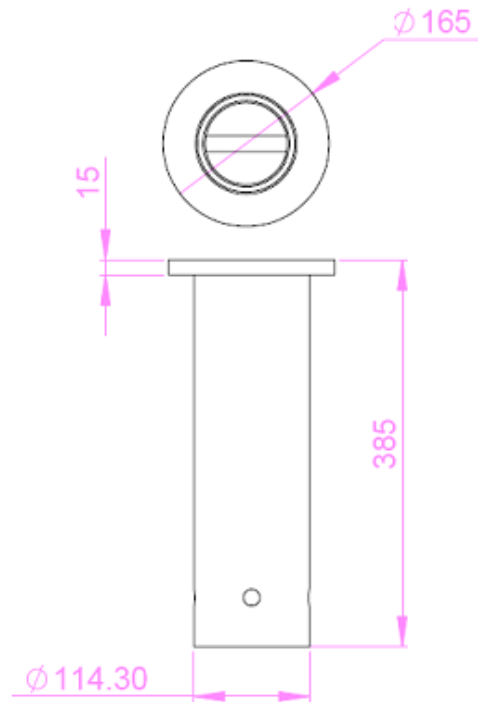
Outline drawings for REID SFMG1000

Flush Mount Socket, Cast In with Re-Bars for PD1000



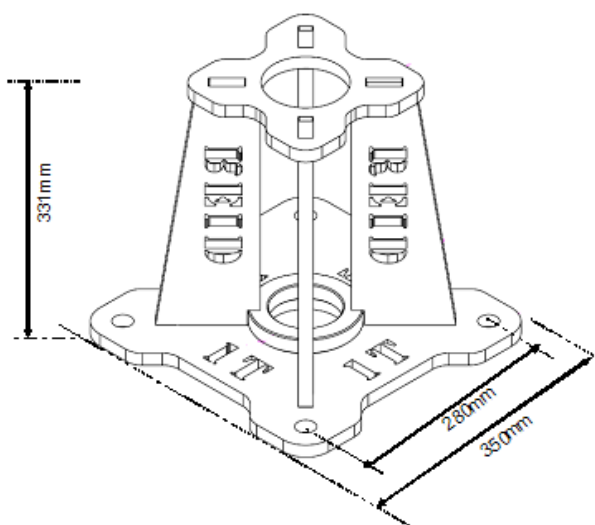
Outline drawings for REID SFRG1000

Flush Mount Socket, Resin Bond for PD1000



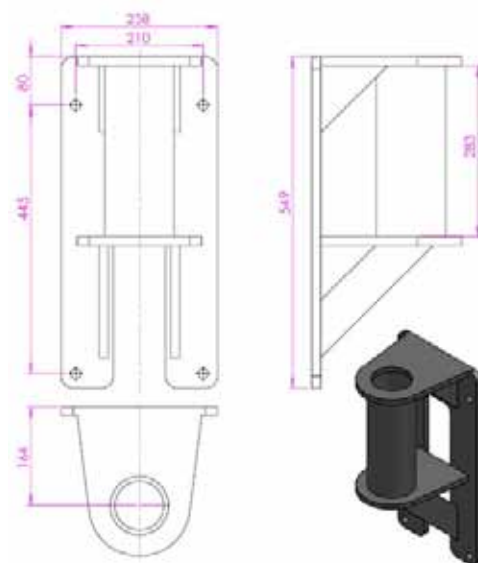
Outline drawings for REID STMG1000

Top Mount Socket for PD1000



Outline drawings for REID SSMG1000

Side Mount Socket for PD1000



Tel: +44 (0)1291 620796 www.reidlifting.com

www.reidlifting.com

REID
LIFTING
LIGHTWEIGHT | PORTABLE | SAFE

PORTA-DAVIT® 1000

Easy transport and manual assembly without compromising on strength or safety (up to 500kg). Custom configurations with industry-leading delivery times.

Chain Block

Manual 360° chain block (CB), rated WLL, complete with 3m of load chain and 2.5m hand chain. The chain block is uniquely designed for operation of the block at any angle to the load, allowing for safe operation from the side of the load, rather than the traditional system which requires the chain to be pulled from directly underneath the chain block. The unit has minimum hook to hook dimension of 335mm and weighs 13kg in total. A load chain container, additional load chain and additional hand chain can be supplied if required. Now available with Overload Protection as an option.



A very wide range of lifting devices are available for integration into the lifting solution, such as: Manual chain blocks and winches; electrical and air hoist alternatives.



Please discuss your overall requirements with REID Lifting.

Tel: +44 (0)1291 620796 www.reidlifting.com

www.reidlifting.com

REID
LIFTING
LIGHTWEIGHT | PORTABLE | SAFE