

PORTA-DAVIT[®] 500

Easy transport and manual assembly without compromising on strength or safety (up to 500kg). Custom configurations with industry-leading delivery times.

Personnel Lifting

PORTA-DAVIT 120MR lightweight, portable, aluminium alloy davit; adapted with WLL 120kg for personnel lifting application. Available in several configurations with a wide range of optional equipment.

Two typical options are detailed below, available for use with either standard REID sockets or the PORTA-BASE for truly flexible application:

Option 1: Personnel lifting winch (to be used in conjunction with fall arrest)

PORTA-DAVIT 120MRW two-piece, aluminium alloy davit.

- WLL 120kg for personnel lifting (man ride) application
- All elements (davit, winch and optional fall arrest and retrieval unit) conveniently contained in 2 x 1.4m carry bags, each weighing less than 24kg
- Personnel lifting winch is rated for continuous use in the raising and lowering of the worker

Option 2: Fall arrest and retrieval winch (for emergency retrieval of personnel)

PORTA-DAVIT 120FAIW two-piece, aluminium alloy davit.

- All elements (davit, fall arrest unit and integral retrieval winch) conveniently contained in 2x 1.4m carry bags, each weighing less than 25kg
- Complete with PORTA-DAVIT and fall-arrest mounting bracket
- Retractable fall arrest lifeline with integral retrieval winching with 15m of cable
- Self-reeling, giving complete freedom of movement, allowing hands-free work
- Centrifugal locking mechanism will activate within 50mm when a force is generated, minimising fall distance
- Recover winch capability with the FA2OR

Should the worker get into difficulty, the retrieval winching mechanism can be easily engaged enabling the worker to

be raised or lowered to safety. The retrieval winch is located in an ergonomic position for the operator, mounted on the davit backstay.

Additional **FA20 (or FA2OR)** back-up, retractable, fall arrest lifeline (recommended).

- Self-reeling, giving complete freedom of movement (up to 20m), allowing the worker to work hands-free
- Centrifugal locking mechanism will activate within 50mm when a force is generated, minimising fall distance
- Supplied with load-indicating captive karabiner on the rope (which indicates if an arrest has been made)
- Fall arrest unit connects to one of the two PORTA-DAVIT shackles by a karabiner and the line karabiner to a safety harness
- The FA2OR includes recover winch capability

Should the worker get into difficulty, the retrieval winching mechanism can be easily engaged enabling the worker to be raised or lowered to safety. The retrieval winch is located in an ergonomic position for the operator, mounted on the davit backstay.

Please discuss all personnel lifting (man ride) applications with our support team prior to any order to ensure maximum safety considerations.

Tel: +44 (0)1291 620796 www.reidlifting.com

www.reidlifting.com



PORTA-DAVIT[®] 500

Easy transport and manual assembly without compromising on strength or safety (up to 500kg). Custom configurations with industry-leading delivery times.

PD500/PD120 personnel lifting example solutions:



PD120 FAIW system based on the PD500 PORTA-DAVIT with Tractel FA20R unit



PD120 FAIW system based on the PD500 PORTA-DAVIT with Checkmate FAB15 unit



PD120 FAIW system based on the PD500 PORTA-DAVIT with Checkmate FAB15R unit



PD120 MRW personnel lifting winch with fall arrest system based on the PD500 PORTA-DAVIT and PORT-BASE90



PD120 MRW personnel lifting winch with fall arrest system based on the PD500 PORTA-DAVIT and PORT-BASE180 with Tractel FA20



PD500 goods rated at 500kg with OP500. Lightweight guard rail system keeping operatives outside any 'danger zone' and negating the requirement for Working at Height equipment.

Tel: +44 (0)1291 620796 www.reidlifting.com

www.reidlifting.com

REID
LIFTING
LIGHTWEIGHT | PORTABLE | SAFE

PORTA-DAVIT[®] 500

Easy transport and manual assembly without compromising on strength or safety (up to 500kg). Custom configurations with industry-leading delivery times.

PD500/PD120 personnel lifting example solutions:



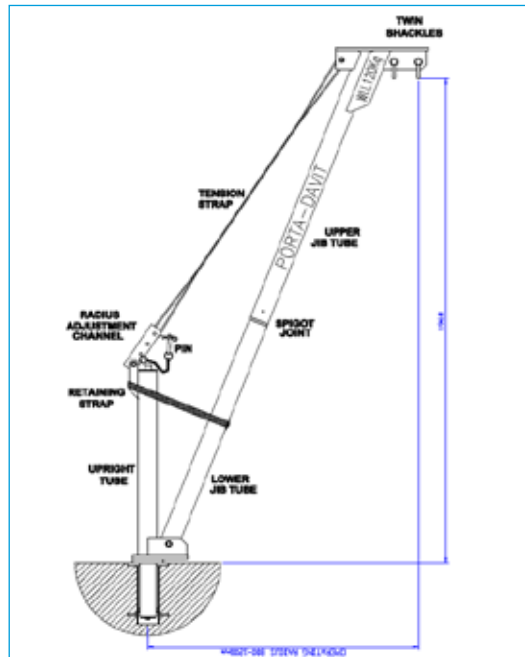
PD120 FAIW system based on the PD500 PORTA-DAVIT and PORTA-BASE270 with Tractel FA20R unit



PD120 FAIW system based on the PD500 PORTA-DAVIT and PORTA-BASE270 with Checkmate FAB15 unit



Typical example of PD120 FAIW system in use



Drawing of PD120 PORTA-DAVIT

Tel: +44 (0)1291 620796 www.reidlifting.com

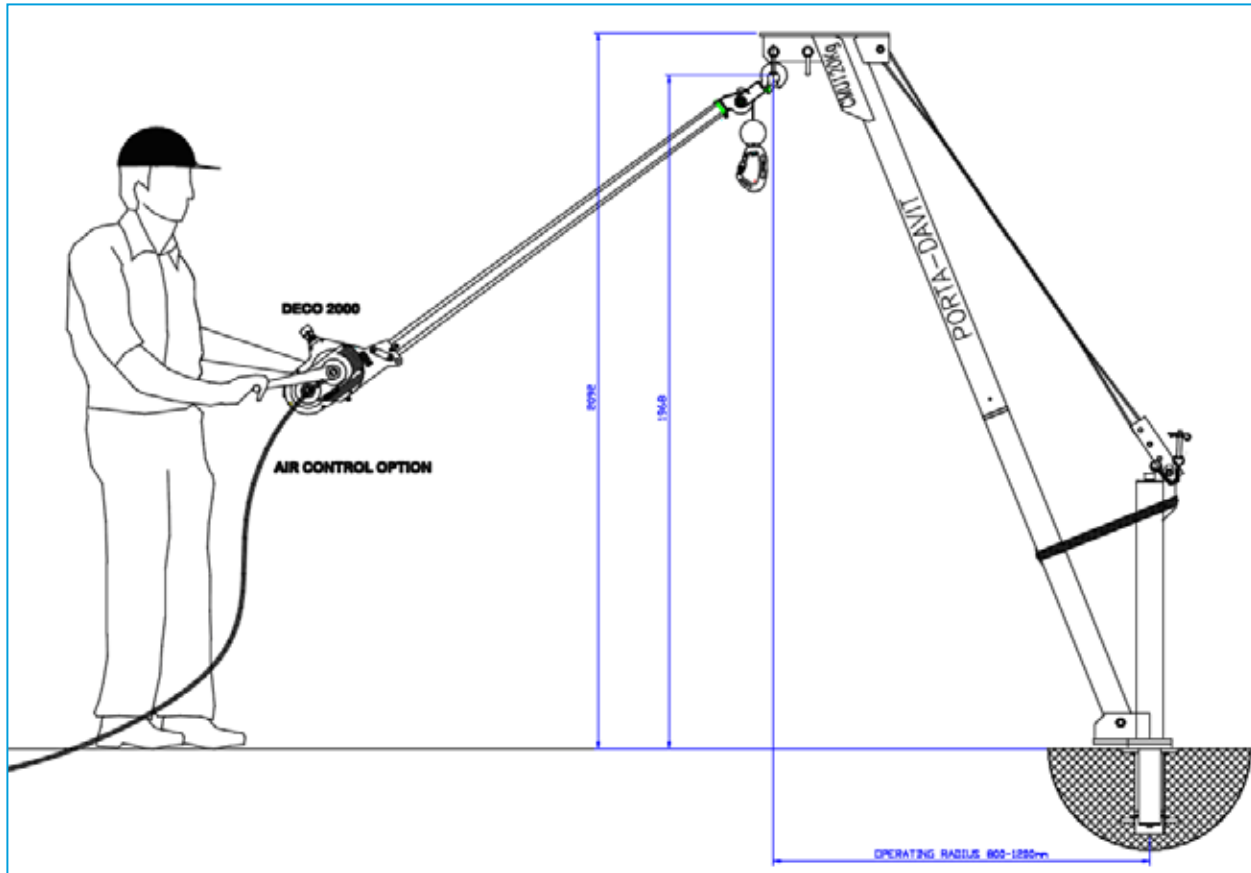
www.reidlifting.com

REID
LIFTING
LIGHTWEIGHT | PORTABLE | SAFE

PORTA-DAVIT[®] 500

Easy transport and manual assembly without compromising on strength or safety (up to 500kg). Custom configurations with industry-leading delivery times.

PD500/PD120 personnel lifting example solutions:



PORTA-DAVIT in use with DECO 2000 with Air Power option (personnel and goods lifting ratings)

Tel: +44 (0)1291 620796 www.reidlifting.com

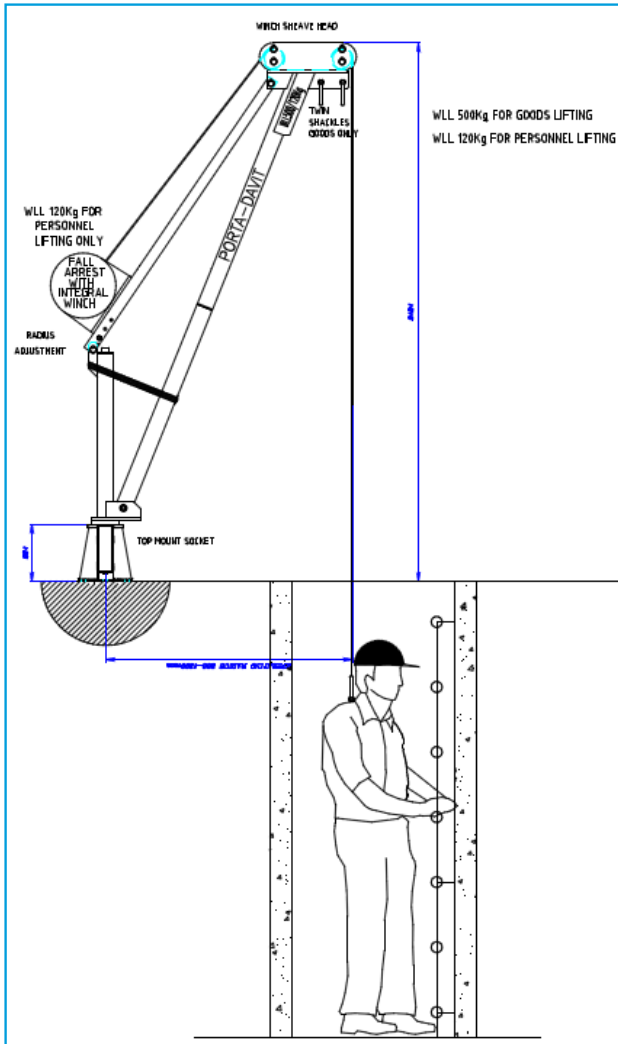
www.reidlifting.com

REID
LIFTING
LIGHTWEIGHT | PORTABLE | SAFE

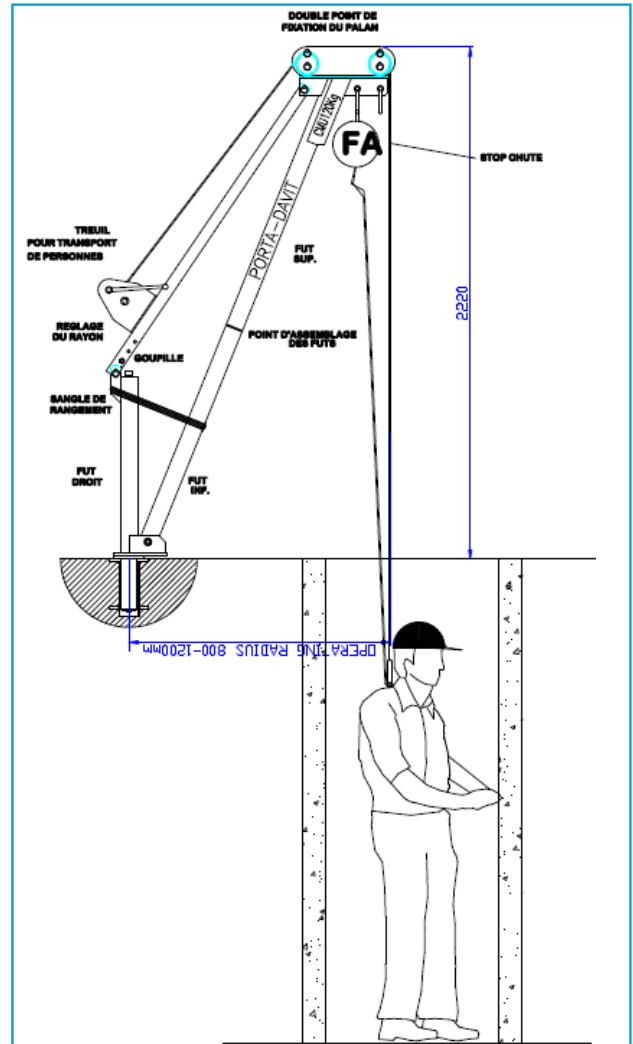
PORTA-DAVIT® 500

Easy transport and manual assembly without compromising on strength or safety (up to 500kg). Custom configurations with industry-leading delivery times.

PD500/PD120 personnel lifting example solutions:



Drawing of PD120FAIW PORTA-DAVIT



Drawing of PD120MRW PORTA-DAVIT with FA unit

Tel: +44 (0)1291 620796 www.reidlifting.com

www.reidlifting.com

REID
LIFTING
LIGHTWEIGHT | PORTABLE | SAFE