

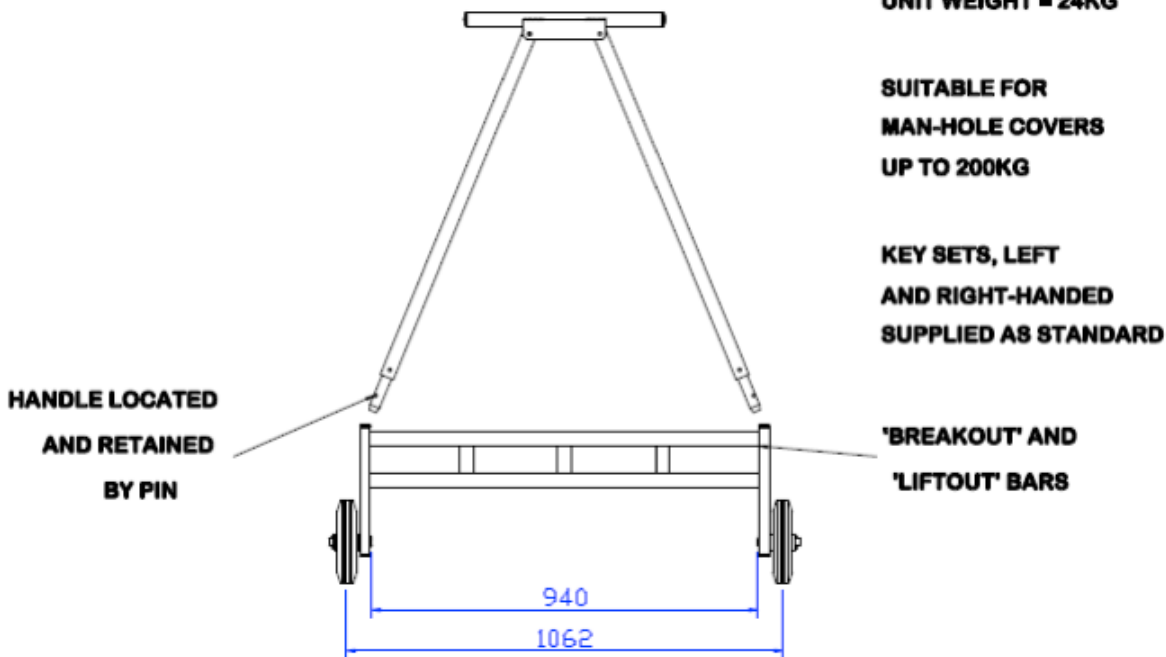
PORTA-LIFTER®

Lightweight manhole cover lifters with rapid assembly, so you can get the job done quickly, safely.

Available Configurations

Snapper (PLSSsnap) manhole cover lifter. Lightweight and easily transportable, allows one person to lift in safety.

- Packs down to 1200mm x 250mm x 300mm
- Fully assembled weight: 22kg
- Suitable for lifting covers up to 200kg
- Comes with two pair of keys (left hand and right hand)



Tel: +44 (0)1291 620796 www.reidlifting.com

www.reidlifting.com

REID
LIFTING
LIGHTWEIGHT | PORTABLE | SAFE

PORTA-LIFTER®

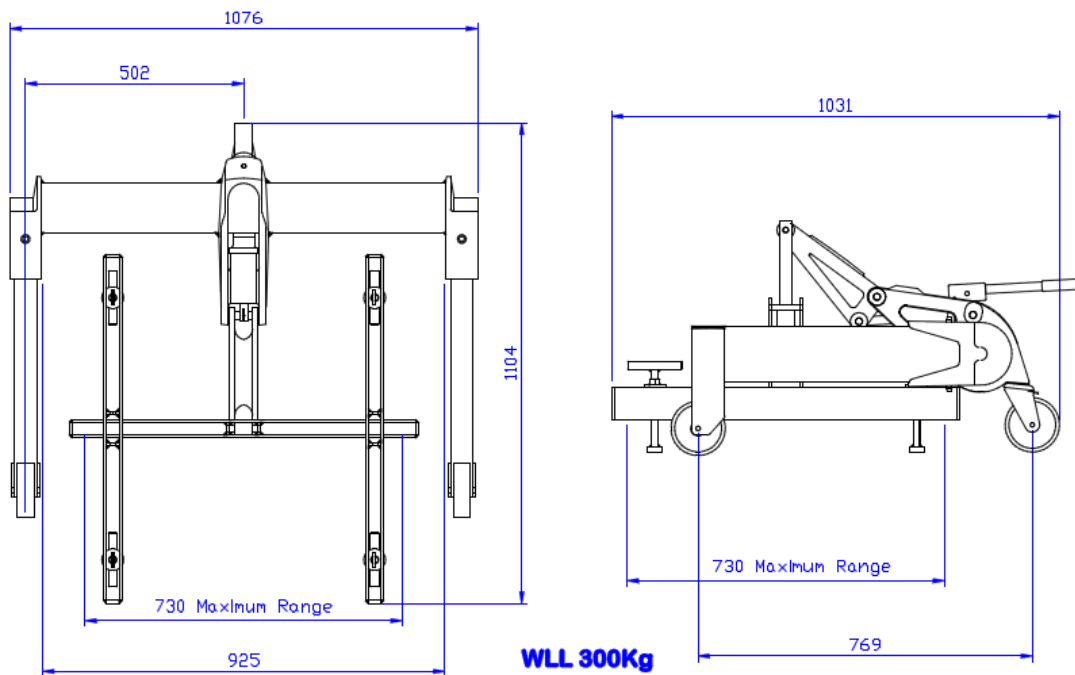
Lightweight manhole cover lifters with rapid assembly, so you can get the job done quickly, safely.

Available Configurations

MHL925 (PLSS0925)

manhole cover lifter.
Lightweight, portable hydraulic unit manufactured from high tensile alloy.

- Hydraulic lift mechanism to minimise manual effort
- Unique lift bar arrangement, ideal for lifting both large and split-cover designs in a single operation
- Suitable for two and four-point lifting
- Four standard keys supplied
- Suitable for lifting covers up to 300kg
- Wheel span: 925mm
- Key centres: 200mm to 800mm
- Fully assembled weight: 22kg



Tel: +44 (0)1291 620796 www.reidlifting.com

www.reidlifting.com

REID
LIFTING
LIGHTWEIGHT | PORTABLE | SAFE

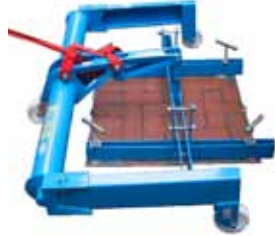
PORTA-LIFTER®

Lightweight manhole cover lifters with rapid assembly, so you can get the job done quickly, safely.

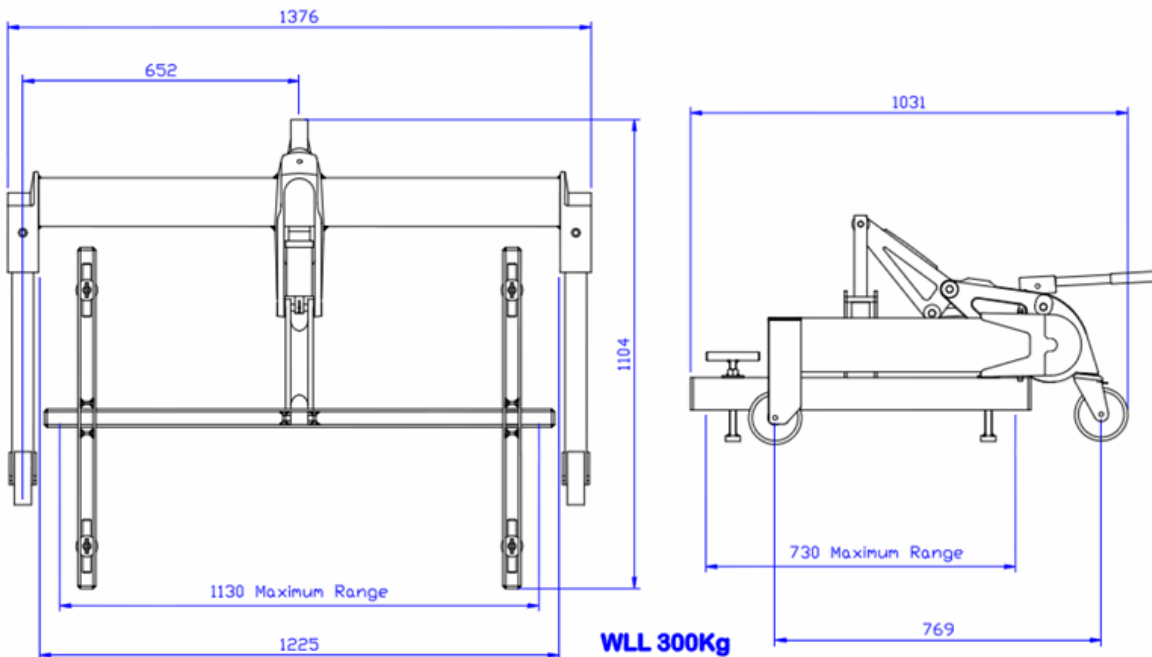
Available Configurations

MHL1250 (PLSS1250)

manhole cover lifter.
Lightweight, portable hydraulic unit manufactured from high tensile alloy.



- Hydraulic lift mechanism to minimise manual effort
- Unique lift bar arrangement, ideal for lifting both large and split-cover designs in a single operation
- Suitable for two and four-point lifting
- Four standard keys supplied
- Suitable for lifting covers up to 300kg
- Wheel span: 1250mm
- Key centres: 200mm to 1100mm
- Fully assembled weight: 23kg



Tel: +44 (0)1291 620796 www.reidlifting.com

www.reidlifting.com

REID
LIFTING
LIGHTWEIGHT | PORTABLE | SAFE

PORTA-LIFTER®

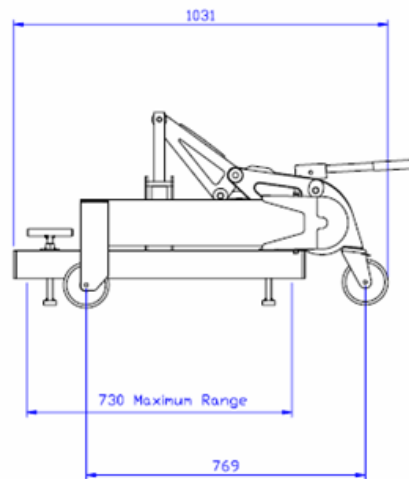
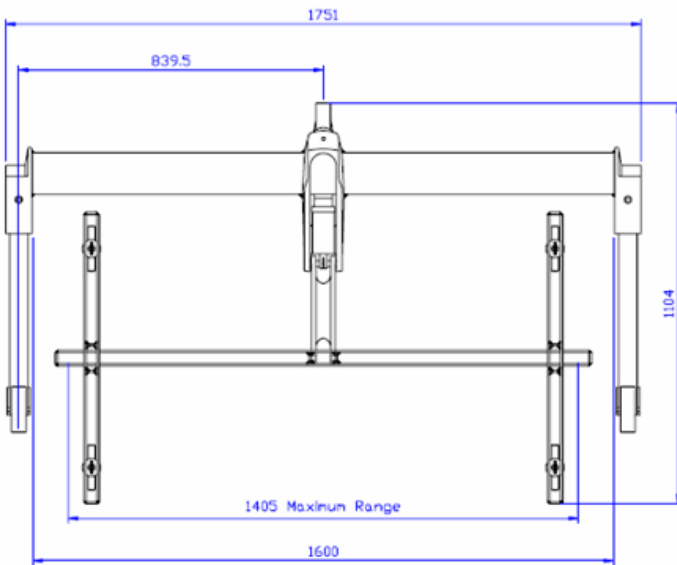
Lightweight manhole cover lifters with rapid assembly, so you can get the job done quickly, safely.

Available Configurations

MHL1600 (PLSS1600) manhole cover lifter.

Lightweight, portable hydraulic unit manufactured from high tensile alloy

- Hydraulic lift mechanism to minimise manual effort
- Unique lift bar arrangement, ideal for lifting both large and split-cover designs in a single operation
- Suitable for two and four-point lifting
- Four standard keys supplied
- Suitable for lifting covers up to 300kg
- Wheel span: 1600mm
- Key centres: 200mm to 800mm
- Fully assembled weight: 24kg



WLL 300Kg

Tel: +44 (0)1291 620796 www.reidlifting.com

www.reidlifting.com

REID
LIFTING
LIGHTWEIGHT | PORTABLE | SAFE