

PORTA-GANTRY[®] RAPIDE

Ultra-lightweight, rapid deployment gantry system



500kg
WLL



1
Person

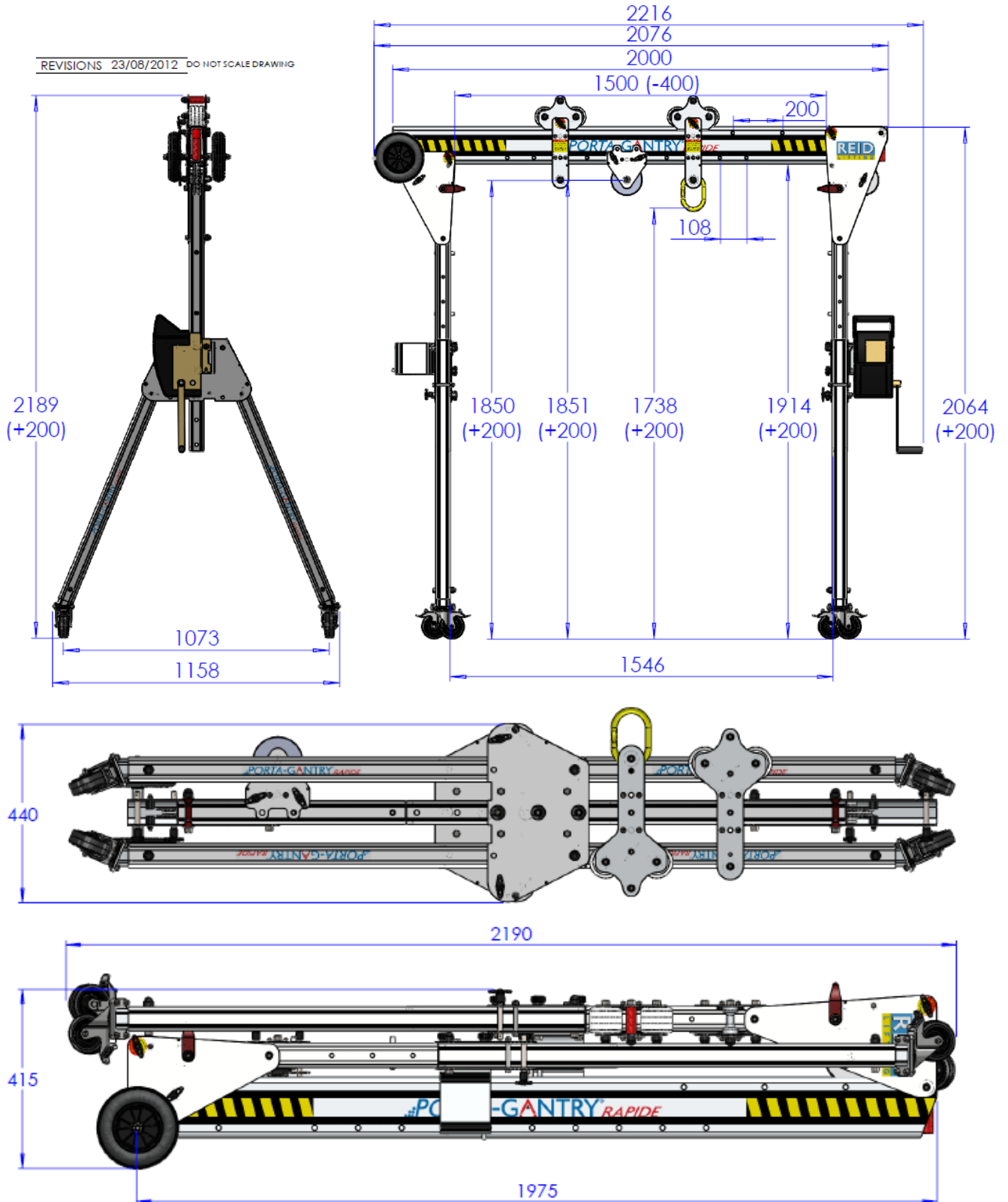


33kg



3
Persons

STANDARD SYSTEM Dimensions with Trolley Options:



Tel: +44 (0)1291 620796

www.reidlifting.com

REID
LIFTING
LIGHTWEIGHT | PORTABLE | SAFE



500kg
WLL



1
Person



33kg

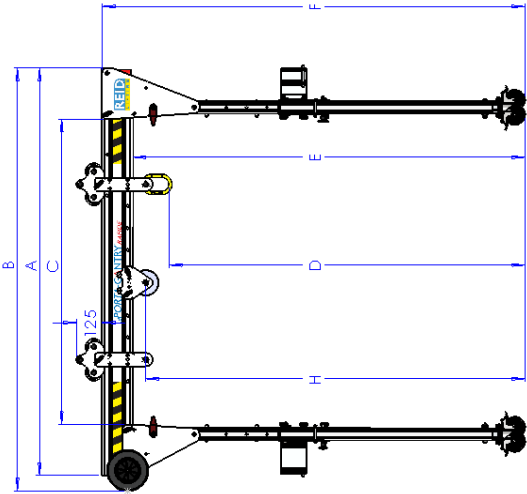
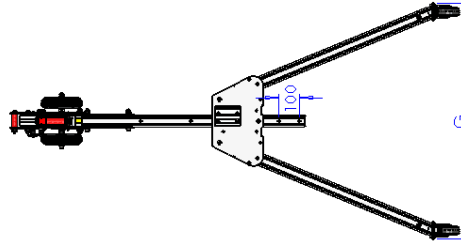
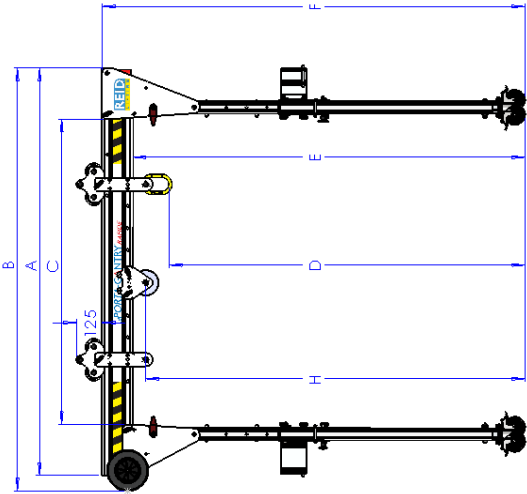
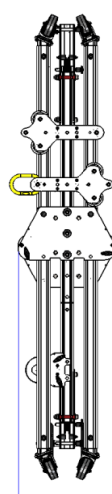
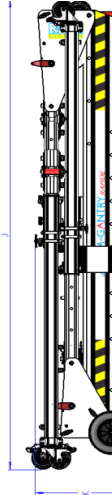


3
Persons

Ultra-lightweight, rapid deployment gantry system

PORTA-GANTRY RAPIDE family Configuration Dimensions S,M & T:

Model	Dimensions mm														Unit Weight			WLL		
	mm														kg	No. Person(s)	kg	No. Person(s)	kg	
	A	B	C _{Min}	C _{Max}	D _{Min}	D _{Max}	E _{Min}	E _{Max}	F _{Min}	F _{Max}	G	H _{Min}	H _{Max}	J	K	L	Goods	FA	PP	
PGRS20	2000	2076	1100	1500		1938	1914	2114	2064	2264	1158	1850	2050	2190			33	500	3	250 x 3
PGRS23	2300	2376	1200	1800	1738	1938	1914	2114	2064	2264	1158	1850	2050	2376			34	400	2	200 x 2
PGRS40	4000	4076	2700	3500										4076			40	250	1	125 x 1
PGRM20	2000	2076	1100	1500										2076			34	400	2	200 x 2
PGRM23	2300	2376	1200	1800	1642	2042	1818	2218	1968	2368	1215	1755	2155	2376	415	440	34	400	2	200 x 2
PGRM40	4000	4076	2700	3500										4076			40			
PGR T20	2000	2076	1100	1500										2631			38	250	1	125 x 1
PGR T23	2300	2376	1200	1800	1916	2816	2092	2992	2242	3142	1586	2028	2928	2631			39			
PGR T40	4000	4076	2700	3500										4076			44			

NOTES

- 2000 beam has 400mm of inward adjustment
- 2300 beam has 600mm of inward adjustment
- 4000 beam has 800mm of inward adjustment
- Standard Rapide has 200mm of height adjustment
- Medium Rapide has 400mm of height adjustment
- Tall Rapide has 900mm of height adjustment

All footing options result in same heights
With Adjustable footing 86mm of additional height

KEY

- FA = Fall Arrest (where a fall arrest block conforming to EN 355 is used)
- PP = Personnel Positioning (where a person is being winched and has a negligible chance of free falling through a distance)

REVISION 3 21/05/2013