



500KG  
WLL



1  
person



Customised  
& bagged



EN795

The bespoke T-DAVIT is lightweight, portable and manufactured with specific needs in mind.

An extensive range of davits offering up to WLL 500kg with 360° rotation under finger tip control for those difficult locations, giving a wide range of standard height and radius options and available customisation.

Particularly suited to situations with environment constraints (headroom, handrails etc.) with a wide range of configurations available. Designed to comply with manual handling regulations and to avoid assembling the davit at height.



**N.B:** TYPE W provides Winch & Shackle lifting points.  
TYPE S provides Shackle lifting only.



## T-DAVIT Information:

- **GOODS WLL** Up to 500kg (see table on next page)
- **PERSONNEL WLL** Configurations available up to 150kg
- **1 PERSON FALL ARREST** EN795:2012 certified - as part of an EN363 compliant system
- **ATEX** All models suitable for use in ATEX Zone 2 explosive atmospheres. ATEX Zone 1 is available as an upgrade
- **LIGHTWEIGHT & PORTABLE**
  - Manual handling compliant
  - Reduced maintenance costs
  - Bagged for easy transportation and storage
- **RAPID ASSEMBLY** Assembly & operation by 1 person, no tools required - just 2 main components
- **RADIUS ADJUSTMENT** Operational radius up to 3000mm - subject to WLL reduction (1600mm maximum for EN795)
- **EASE OF ROTATION** 360° rotation under full load with fingertip control
- **CORROSION RESISTANT** Clean anodised finish to increase wear resistance
- **UNIVERSAL KINGPIN** Mates with all 65mm REID sockets (or sleeves for existing sockets). Also suitable for use with socket extensions
- **SPECIFICATIONS**
  - 2 lifting positions as standard (A&B)
  - Twin shackles for index lifting and/or attachments for winching

## Options & Upgrades:



- Integrated wheel carrier for reduced manual handling



- Beam radius adjustment
- Fall arrest (EN795:2012) and personnel winching



## Alternative Variations

### TYPE VS

Sliding beam T-DAVIT with Variable radius Shackles



### TYPE VW

Variable Winched sliding beam T-DAVIT with shackles & ergonomically positioned winch (upper or lower)

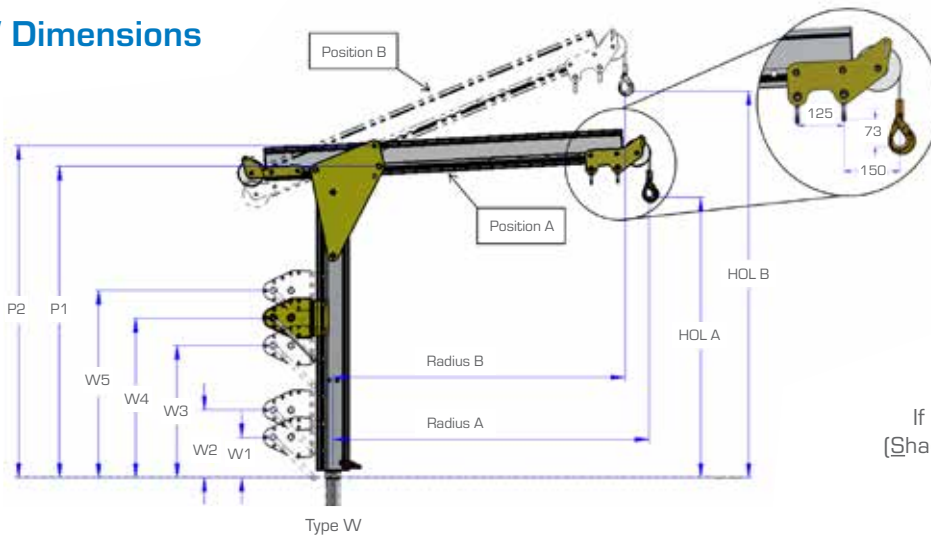


### TYPE T

Geared Trolley T-DAVIT



## Type W Dimensions



If you need dimensions for a Type S (Shackle only) T-DAVIT, please contact a REID Lifting representative.

Beam Option	1		2		3		4	
Position	A	B	A	B	A	B	A	B
Radius (mm)	1000	925	1200	1110	1600	1478	2000	1850
Load Rating 1 (kg)	500		400		300		250	
Load Rating 2 (kg)	500		500		375		300	

Dimensions are to hook on Winched type above.

Column Option	Height of Lift (HOL) (mm)								Winch Position		P1	P2
	A	B	A	B	A	B	A	B				
1	839	1151	839	1227	839	1380	839	1532	W1	190	982	1081
									W2	320		
2	1019	1331	1019	1407	1019	1560	1019	1712	W1	190	1162	1261
									W2	320		
									W3	625		
3	1329	1641	1329	1717	1329	1870	1329	2022	W1	190	1472	1571
									W2	320		
									W3	625		
									W4	755		
									W5	885		
4	1644	1956	1644	2032	1644	2185	1644	2337	W3	625	1787	1886
									W4	755		
									W5	885		
5	1954	2266	1954	2342	1954	2495	1954	2647	W5	885	2097	2196