



 **PORTAGANTRY** RAPIDE®

This product is patented

REIDLIFTING.COM

Our unique and innovative **PORTAGANTRY^{RAPIDE}** is a height-adjustable, foldable aluminium gantry designed for rapid deployment. Capable of an impressive WLL of up to 1000kg. This system can be assembled and disassembled by just one person within a minute without the need for any tools. The **PORTAGANTRY^{RAPIDE}** is the perfect solution for Confined Space Access scenarios due to its unique features and ability to lift equipment and personnel.

> Key features

- > EN795:2012 Certified
- > ATEX Certified
- > Can support goods and personnel lifting;
 - > Goods WLL of up to 1000kg
 - > Personnel WLL of up to 500kg
- > Suitable for up to 3 persons for fall protection applications
- > Integrated wheel design that folds with the frame for ease of transportation
- > Available in 3 height-adjustable versions (up to 2.9m to the lifting eye)
- > Can accommodate a range of beam lengths up to 4m
- > Anodised for increased corrosion resistance
- > Engineered designs and bespoke sections reduce weight, providing lightweight portability

> Configurations

The **PORTAGANTRY^{RAPIDE}** is available in a range of configurations and can be customised in line with specific requirements (subject to WLL rating).



**250-1000KG
WLL**



**1-2 PERSON
ASSEMBLY**



**37-69KG
COMPACT
STORAGE**



**EN795
CERTIFIED**



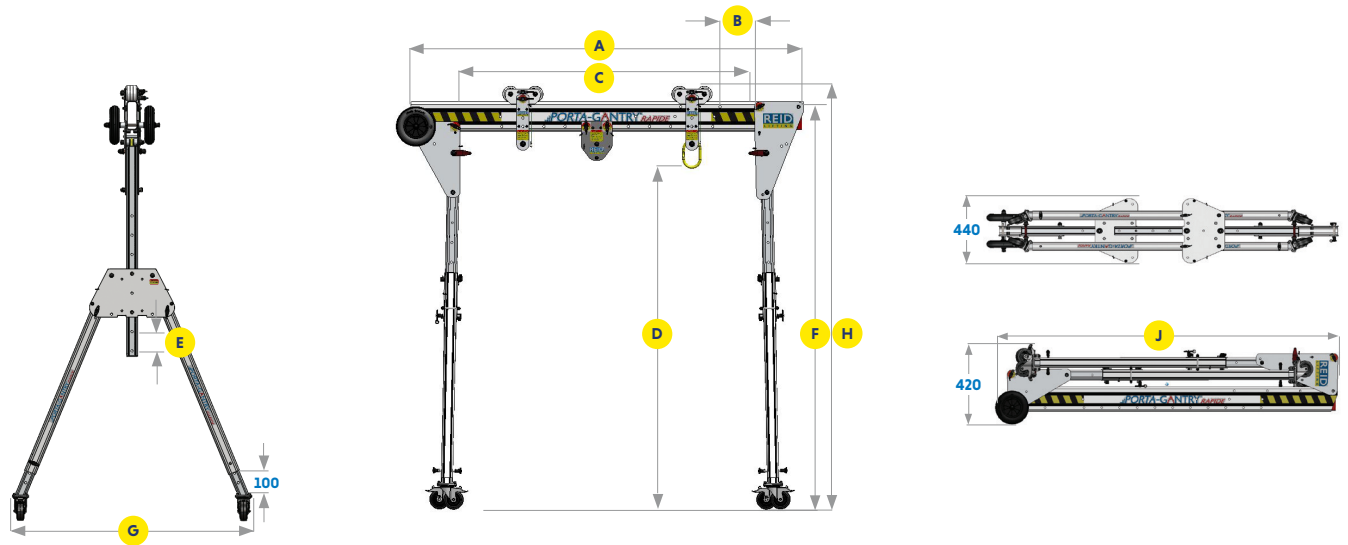
**ATEX
CERTIFIED**

> Features & Performance

	PGR500	PGR1000
Accreditations, Certifications & Standards		
EN795:2012	✓	✓
PD CEN / TS16415:2013	✓	✓
ANSI Z359.18-17	✓	✓
AS/NZS 5532:2013	✓	✓
ATEX Certified [Zone 2]	✓	✓
ATEX Certified [Zone 1]	×	Optional
IRATA	✓	✓
Capacity		
Maximum Goods Lifting [kg]	500	1000
Maximum Personnel Lifting [kg]	250	500
Fall Arrest [Persons]	3	3
Dimensions		
Minimum Height of Lift (HOL) [mm]	1450	1430
Maximum Height of Lift (HOL) [mm]	2920	2880
Beam Options		
2.0m	✓	✓
2.3m	✓	×
3.0m	×	✓
4.0m	✓	✓
Trolley Options		
Master Link	✓	✓
Close Coupled	✓	✓
Sheave Carrier	✓	✓
Features		
Winch Capable	✓	✓
Foot adjustment [100mm]	✓	✓
Foldable	✓	✓
Transport Wheel	✓	✓
Assembly < 60sec	✓	✓
Finishes		
Anodised	✓	✓
Marine Spec	Optional	Optional

PORTAGANTRY ^{RAPIDE} 250-500

- A** Beam length
- B** Beam adjustment
- C** Clear operating span
- D** Height to lifting eye
- E** Height increment
- F** Height to top of beam
- G** Width
- H** Height to top of roller
- J** Folding dimensions



Dimensions [mm]

WLL

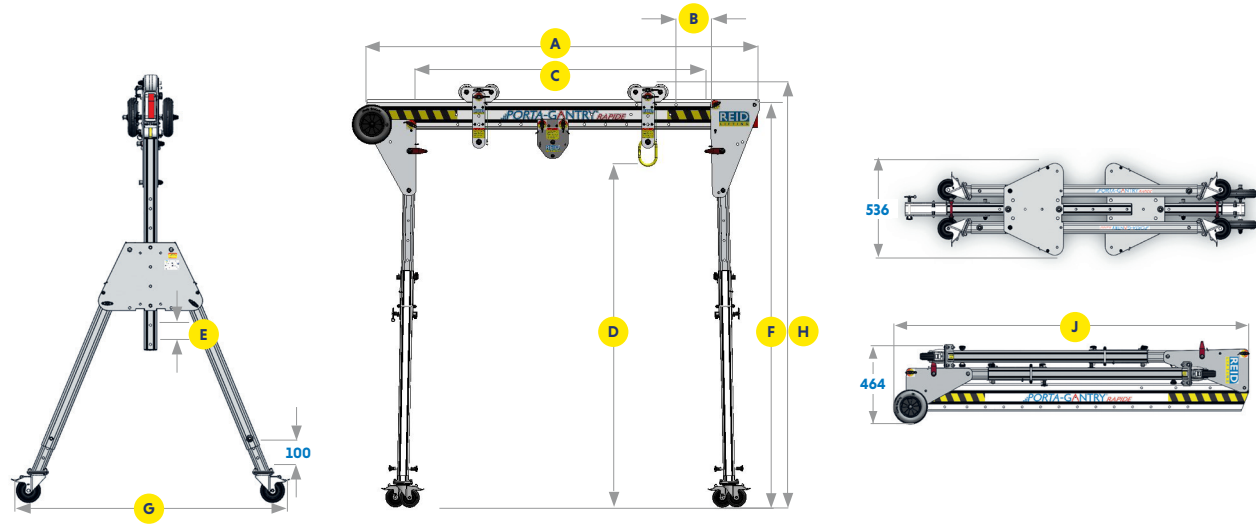
Unit Weight***

Product Code	A Beam Length	B	CMin	CMax	DMin	DMax	E	FMin	FMax	G	HMin	HMax	J	Goods Capacity [kg]	Fall Arrest Capacity** No of Person(s)	Personnel Positioning** [kg]	[kg]
PGRS20	2000	2 x 200	1100	1500	1445	2045	6 x 100	1776	2376	1158	1856	2456	2080	500	3	250	37
PGRS23	2300	3 x 200	1200	1800									2380	400	2	200	38
PGRS40	4000	3 x 200	2900	3500									4080	250	1	125	43
PGRM20	2000	2 x 200	1100	1500	1449	2149	7 x 100	1780	2480	1215	1860	2560	2080	400	2	200	38
PGRM23	2300	3 x 200	1200	1800									2380				38
PGRM40	4000	3 x 200	2900	3500									4080	44			
PGRT20*	2000	2 x 200	665	1065	1923	2923	10 x 100	2254	3254	1586	2334	3334	2645	250	1	125	42
PGRT23*	2300	3 x 200	765	1365									2380				43
PGRT40*	4000	3 x 200	2465	3065									4080				48

*Trolley stops fitted to beam **Ratings using European standards. Contact REID for other standards. *** Weight includes castor inserts.

PORTAGANTRY RAPIDE® 1000

- A** Beam length
- B** Beam adjustment
- C** Clear operating span
- D** Height to lifting eye
- E** Height increment
- F** Height to top of beam
- G** Width
- H** Height to top of roller
- J** Folding dimensions



Dimensions [mm]

WLL

Unit Weight***

Product Code	A Beam Length	B	CMin	CMax	DMin	DMax	E	FMin	FMax	G	HMin	HMax	J	Goods Capacity [kg]	Fall Arrest Capacity** No of Person(s)	Personnel Positioning** [kg]	[kg]
PGR1TS20	2000	2 x 200	1102	1502	1425	1925	5 x 100	1822	2322	1270	1904	2404	2077	1000	3	500	52
PGR1TS30	3000	3 x 200	1902	2502									3077	1000	3	500	57
PGR1TS40	4000	3 x 200	2902	3502									4077	1000	3	500	61
PGR1TM20	2000	2 x 200	1102	1502	1735	2435	7 x 100	2061	2761	1484	2143	2843	2200	1000	3	500	56
PGR1TM30	3000	3 x 200	1902	2502									3077	1000	3	500	60
PGR1TM40	4000	3 x 200	2902	3502									4077	1000	3	500	65
PGR1TT20*	2000	2 x 200	665	1065	1975	2875	9 x 100	2301	3201	1698	2383	3283	2830	1000	3	500	60
PGR1TT30*	3000	3 x 200	1465	2065									3077	1000	3	500	64
PGR1TT40*	4000	3 x 200	2465	3065									4077	1000	3	500	69

*Trolley stops fitted to beam **Ratings using European standards. Contact REID for other standards.

All information herein is copyright protected by REID Lifting Ltd. All company and product names are Trade Mark and Trade Name protected and all REID Product IPR is protected under Patents, Patents Pending and/or Design Rights.

Printed using environment friendly processes and materials.

REID Lifting

Unit 1 Wyeview,
Newhouse Farm Ind. Estate
Chepstow, Monmouthshire
NP16 6UD UK

- +44 (0)1291 620 796
- +44 (0)1291 626 490 (Fax)
- enquiries@reidlifting.com
- www.reidlifting.com