



## > REID Bracket Matrix

For Personnel winches & SRL devices



## REID Bracket Matrix

The following document is a guide to assist with product selection to ensure that you are able to select the correct product and code when fitting a system with personnel winches and/or SRL devices.

Please note that the part codes in this document are given in relation to the brackets supplied by REID lifting and not the devices which they support. If you require more information about the devices themselves, please contact us at [enquiries@reidlifting.com](mailto:enquiries@reidlifting.com).

More information and installations guides for each device and REID product can be found online at [reidlifting.com](http://reidlifting.com).



## Contents

### 4 Gantry Range

6 **PORTA**GANTRY **RAPIDE**

8 **PORTA**GANTRY Small and Medium

10 **PORTA**GANTRY

### 12 Davit Range

14 **T**DAVIT

16 **PORTA**DAVIT **QUANTUM** Single Winch

18 **PORTA**DAVIT **QUANTUM** Double Winch

20 **PORTA**DAVIT

22 **PORTX** DAVIT



# Gantry Range

- 6 **PORTAGANTRY**<sup>RAPIDE</sup>
- 8 **PORTAGANTRY** Small or Medium
- 10 **PORTAGANTRY**

	<b>PORTA</b> GANTRY <sup>®</sup> <small>RAPIDE<sup>®</sup></small>	<b>PORTA</b> GANTRY <sup>®</sup> Small and Medium	<b>PORTA</b> GANTRY <sup>®</sup> Column	
Supported Personnel Winches	<b>G.Winch</b>	RAWB005220	RAWB005225	RAWB005208
	<b>Guardian Checkmate</b>	RAWB001220	RAWB001220	RAWB001200
	<b>IKAR PLW</b>	RAWB004220	RAWB004225	RAWB004200
	<b>MSA Workman</b>	RAWB008220	RAWB008220	RAWB008000
	<b>3M SALA Winch</b>	RAWB003520	RAWB003522	RAWB003000
	<b>3M DBI SALA Digital Winch</b>	RAWB003520	RAWB003522	RAWB003000
	<b>Tuffbuilt Pro Series 1</b>	RAWB009220	RAWB009225	RAWB009200
	<b>Tuffbuilt Pro Series 2</b>	RAWB009320	RAWB009325	RAWB009300

Supported SRL Devices	<b>Guardian FABXR</b>	RAWB001020	RAWB001020	RAWB001000
	<b>Tractel Blocfor</b>	RAWB002020	RAWB002020	RAWB002000
	<b>3M Rebel Protect A</b>	RAWB003520	RAWB003522	RAWB003000
	<b>3M SALA Sealed Block</b>	RAWB003520	RAWB003522	RAWB003000
	<b>3M Sala Ultra-Lok</b>	RAWB003525	RAWB003520	RAWB003000
	<b>IKAR HRA</b>	RAWB004020	RAWB004020	RAWB004000
	<b>Globestock G-Saver GSE 414G</b>	RAWB005520	RAWB005520	RAWB005500
	<b>Globestock G-Saver GSE 420G</b>	RAWB005020	RAWB005020	RAWB005000
	<b>Globestock G-Saver GSE 434G</b>	RAWB005020	RAWB005020	RAWB005000
	<b>Ridgegear</b>	RAWB006020	RAWB006020	RAWB006000
	<b>MSA Rescuer</b>	RAWB008020	RAWB008020	RAWB008000

# PORTAGANTRY RAPIDE®



Supported Personnel Winch		
	Supported Device	Product Code
<b>Figure A</b>	<b>G.Winch</b>	RAWB005220
	<b>Guardian Checkmate</b>	RAWB001220
	<b>IKAR PLW</b>	RAWB004220
	<b>MSA Workman</b>	RAWB008220
	<b>3M SALA Winch</b>	RAWB003520
	<b>3M DBI SALA Digital Winch</b>	RAWB003520
	<b>Tuffbuilt Pro Series 1</b>	RAWB009220
	<b>Tuffbuilt Pro Series 2</b>	RAWB009320

Supported SRL Device		
	Supported Device	Product Code
<b>Figure B</b>	<b>Guardian FABXR</b>	RAWB001020
	<b>Tractel Blocfor</b>	RAWB002020
	<b>3M Rebel Protect A</b>	RAWB003520
	<b>3M SALA Sealed Block</b>	RAWB003520
	<b>3M Sala Ultra-Lok</b>	RAWB003525
	<b>IKAR HRA</b>	RAWB004020
	<b>Globestock G-Saver GSE 414G</b>	RAWB005520
	<b>Globestock G-Saver GSE 420G</b>	RAWB005020
	<b>Globestock G-Saver GSE 434G</b>	RAWB005020
	<b>Ridgegear</b>	RAWB006020
	<b>MSA Rescuer</b>	RAWB008020

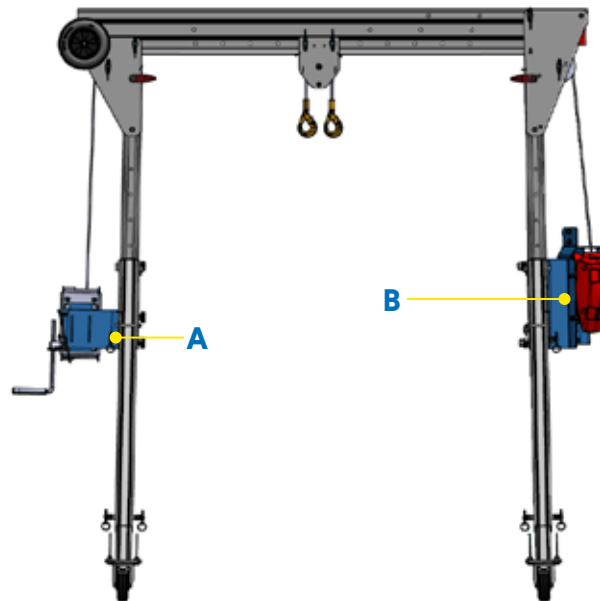
## Winch-ready set up

The brackets on this page are for trap plate attachment set-ups with a **PORTA** GANTRY [RAPIDE].

You must ensure that your system is fitted with the necessary winch-ready attachments in order to use any winch or SRL device.

Winch-Ready Attachments	
<b>PGR Universal Sheave kit</b>	RAPGR00032
<b>PGR Single Sheave carrier</b>	PGTUR00501
<b>PGR1000 Single sheave carrier</b>	PGTUR01001
<b>PGR Double sheave carrier</b>	PGTTR00501
<b>PGR1000 Double sheave carrier</b>	PGTTR01001

**Note:** All sheave carriers are rated 250kg WLL for personnel lifting applications.





# ➤ PORTAGANTRY® Small or Medium





Supported Personnel Winch		
	Supported Device	Product Code
Figure A	G.Winch	RAWB005225
	Guardian Checkmate	RAWB001220
	IKAR PLW	RAWB004225
	MSA Workman	RAWB008220
	3M SALA Winch	RAWB003522
	3M DBI SALA Digital Winch	RAWB003522
	Tuffbuilt Pro Series 1	RAWB009225
	Tuffbuilt Pro Series 2	RAWB009325

Supported SRL Device		
	Supported Device	Product Code
Figure B	Guardian FABXR	RAWB001020
	Tractel Blocfor	RAWB002020
	3M Rebel Protect A	RAWB003522
	3M SALA Sealed Block	RAWB003522
	3M Sala Ultra-Lok	RAWB003520
	IKAR HRA	RAWB004020
	Globestock G-Saver GSE 414G	RAWB005520
	Globestock G-Saver GSE 420G	RAWB005020
	Globestock G-Saver GSE 434G	RAWB005020
	Ridgegear	RAWB006020
	MSA Rescuer	RAWB008020

### Winch-ready set up

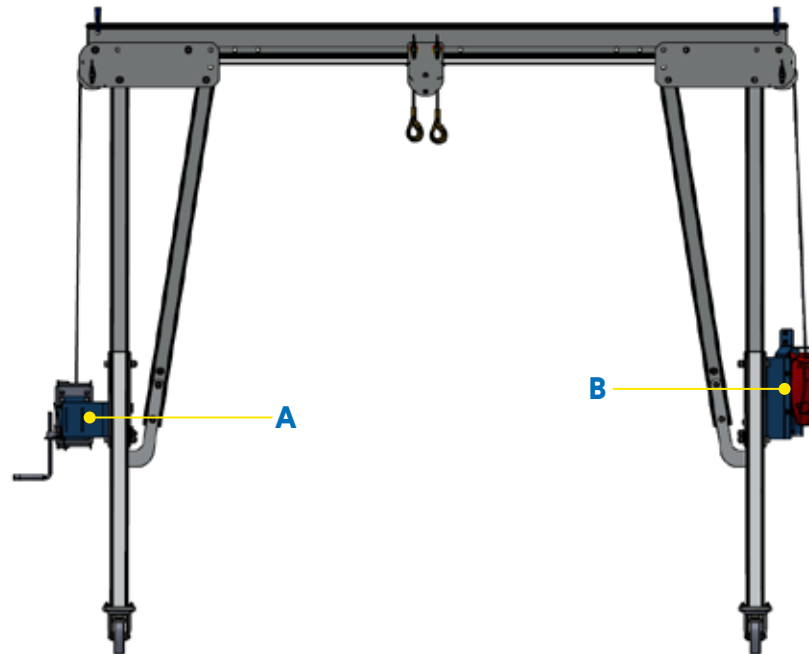
The brackets on this page are for trap plate attachment set-ups with a PORTAGANTRY.

All gantries must conform with one of the following set-ups when being used with any winch or SRL device

- > **Newly purchased** Gantry systems will require Winch ready A-Frames
- > **Upgrading existing** systems will need a Winch conversion kit per A-Frame.

Winch-Ready Attachments	
Winch ready A-Frame	SP100
Winch ready conversion kit	RAPG000077
PG Single Sheave carrier	PGTU00501
PG Double sheave carrier	PGTT00501

**Note:** All sheave carriers are rated 250kg WLL for personnel lifting applications.



# PORTAGANTRY®



Supported Personnel Winch		
	Supported Device	Product Code
Figure A	G.Winch	RAWB005208
	Guardian Checkmate	RAWB001200
	IKAR PLW	RAWB004200
	MSA Workman	RAWB008000
	3M SALA Winch	RAWB003000
	3M DBI SALA Digital Winch	RAWB003000
	Tuffbuilt Pro Series 1	RAWB009200
	Tuffbuilt Pro Series 2	RAWB009300

Supported SRL Device		
	Supported Device	Product Code
Figure B	Guardian FABXR	RAWB001000
	Tractel Blocfor	RAWB002000
	3M Rebel Protect A	RAWB003000
	3M SALA Sealed Block	RAWB003000
	3M Sala Ultra-Lok	RAWB003000
	IKAR HRA	RAWB004000
	Globestock G-Saver GSE 414G	RAWB005500
	Globestock G-Saver GSE 420G	RAWB005000
	Globestock G-Saver GSE 434G	RAWB005000
	Ridgegear	RAWB006000
	MSA Rescuer	RAWB008000

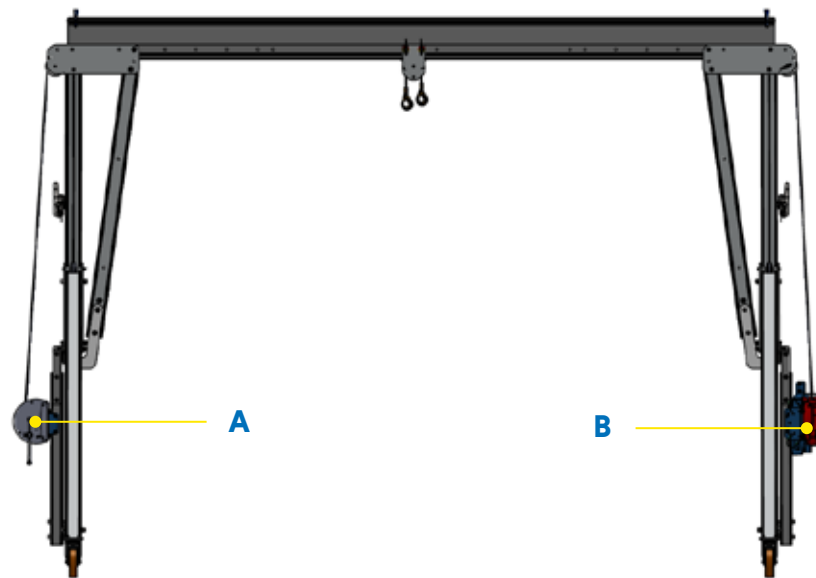
### Winch-ready set up

The brackets on this page are for column attachment set-ups with a **PORTAGANTRY**. Note that winch columns are supplied separately and specified to the size of the A-Frames.

All gantries must conform with one of the following set-ups when being used with any winch or SRL device

- > **Newly purchased** Gantry systems will require Winch ready A-Frames
- > **Upgrading existing** systems will need a Winch conversion kit per A-Frame.

Winch-Ready Attachments	
Winch Ready A-Frames	SP100
Winch ready conversion kit	RAPG000077
Winch Column - Intermediate	RAGC0001
Winch Column - Tall	RAGC0002
Winch Column - TC4	RAGC0003
Winch Column - TC3	RAGC0004
Winch Column - TC1 or TC2	RAGC0005
PG Single Sheave carrier	PGTU00501
PG Double sheave carrier	PGTT00501



**Note:** All sheave carriers are rated 250kg WLL for personnel lifting applications.

**REID**  
LIFTING

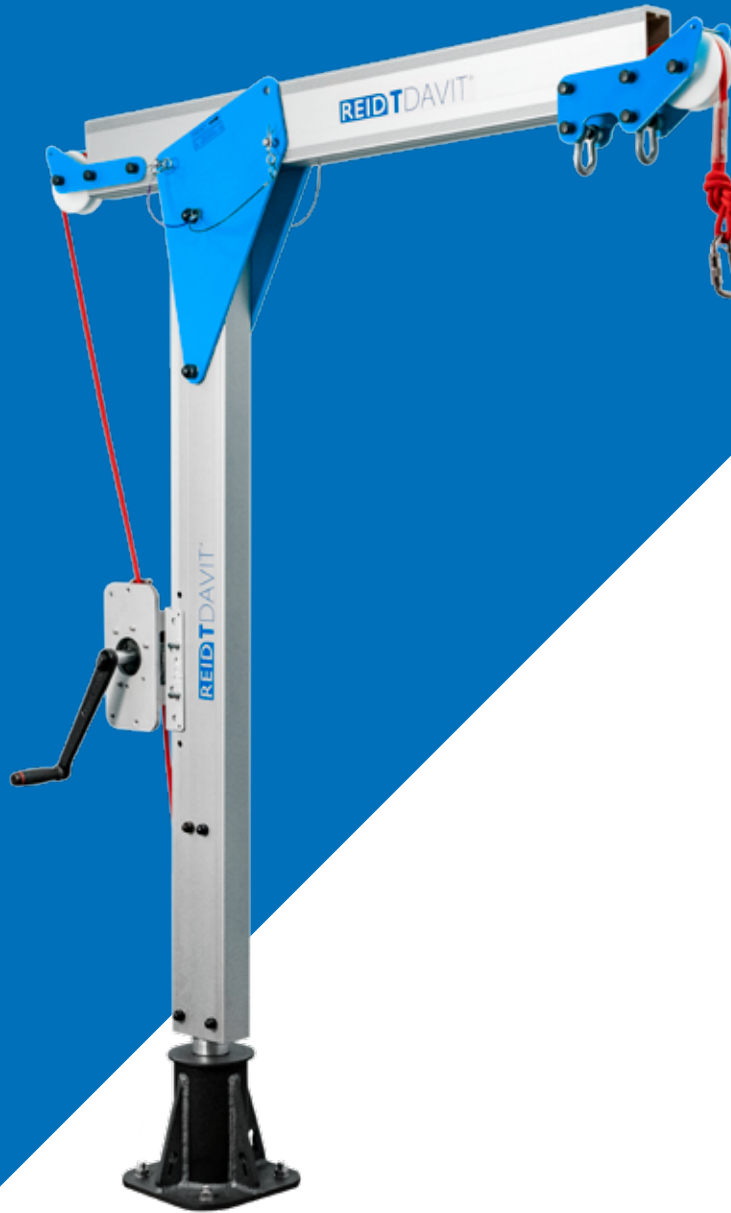
# > Davit Range

- 14 TDAVIT®
- 16 PORTA DAVIT QUANTUM® Single Winch
- 18 PORTA DAVIT QUANTUM® Double Winch
- 20 PORTA DAVIT®
- 22 PORTX® DAVIT

	TDAVIT®	PORTA DAVIT <sup>QUANTUM</sup> ® Column	PORTA DAVIT <sup>QUANTUM</sup> ® Single Winched Backstay	PORTA DAVIT <sup>QUANTUM</sup> ® Double Winched Backstay	PORTA DAVIT®	PORTX® DAVIT	PORTX® DAVIT Double Winch	
Personnel Winches	<b>G.Winch</b>	RAWB005200	RAWB005200	RAWB005206	N/A	RAWB005203	RAWB005200	RAWB005209
	<b>Guardian Checkmate</b>	RAWB001200	RAWB001200	RAWB001206	N/A	RAWB001203	RAWB001200	RAWB001209
	<b>IKAR PLW</b>	RAWB004200	RAWB004200	RAWB004206	N/A	RAWB004203	RAWB004200	RAWB004209
	<b>MSA Workman</b>	RAWB008000	RAWB008000	RAWB008006	N/A	RAWB008003	RAWB008000	RAWB008000
	<b>3M SALA Winch</b>	RAWB003000	RAWB003000	RAWB003003	N/A	RAWB003000	RAWB003000	RAWB003009
	<b>3M DBI SALA Digital Winch</b>	RAWB003000	RAWB003000	RAWB003003	N/A	RAWB003000	RAWB003000	RAWB003009
	<b>Tuffbuilt Pro Series 1</b>	RAWB009200	RAWB009200	RAWB009206	N/A	RAWB009203	RAWB009200	N/A
	<b>Tuffbuilt Pro Series 2</b>	RAWB009300	RAWB009300	RAWB009306	N/A	RAWB009303	RAWB009300	N/A

SRL Devices	<b>Guardian FABXR</b>	RAWB001000	RAWB001000	RAWB001000	RAWB001010	RAWB001000	RAWB001000	N/A
	<b>Tractel Blocfor</b>	RAWB002000	RAWB002000	RAWB002000	RAWB002010	RAWB002000	RAWB002000	N/A
	<b>3M Rebel Protect A</b>	RAWB003000	RAWB003000	RAWB003006	RAWB003010	RAWB003003	RAWB003000	N/A
	<b>SALA Sealed Block</b>	RAWB003000	RAWB003000	RAWB003006	RAWB003010	RAWB003003	RAWB003000	N/A
	<b>3M Sala Ultra-Lok</b>	RAWB003000	RAWB003000	RAWB003006	RAWB003010	RAWB003003	RAWB003000	N/A
	<b>IKAR HRA</b>	RAWB004000	RAWB004000	RAWB004000	RAWB004010	RAWB004000	RAWB004000	N/A
	<b>Globestock G-Saver GSE 414G</b>	RAWB005500	RAWB005500	RAWB005500	RAWB005510	RAWB005500	RAWB005500	N/A
	<b>Globestock G-Saver GSE 420G</b>	RAWB005000	RAWB005000	RAWB005000	RAWB005010	RAWB005000	RAWB005000	N/A
	<b>Globestock G-Saver GSE 434G</b>	RAWB005000	RAWB005000	RAWB005000	RAWB005010	RAWB005000	RAWB005000	N/A
	<b>Ridgegear</b>	RAWB006000	RAWB006000	RAWB006000	RAWB006010	RAWB006000	RAWB006000	N/A
	<b>MSA Rescuer</b>	RAWB008000	RAWB008000	RAWB008006	N/A	RAWB008003	RAWB008000	N/A

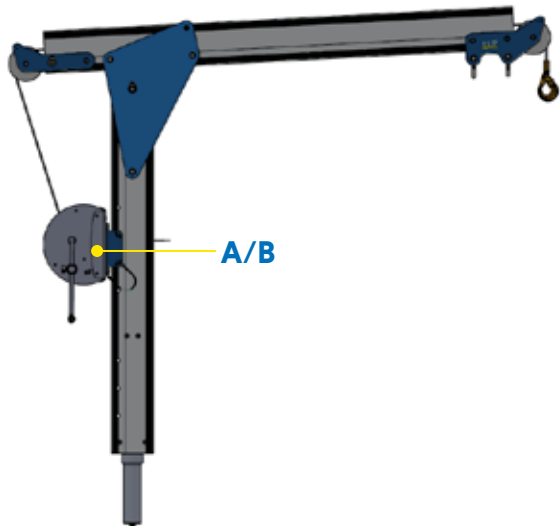
**> TDAVIT<sup>®</sup>**



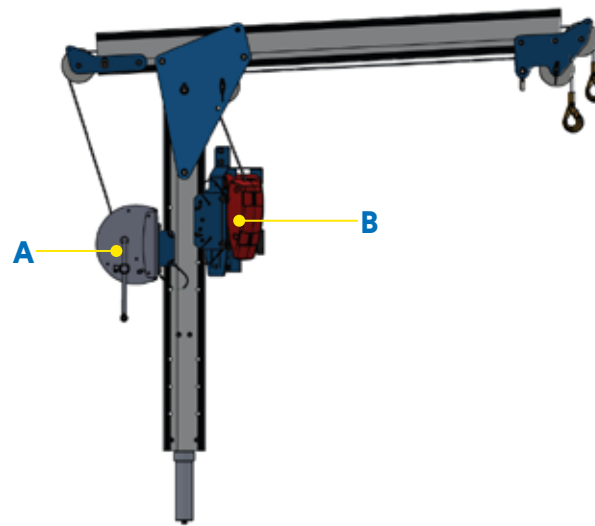
Supported Personnel Winch		
Figure A	Supported Device	Product Code
	G.Winch	RAWB005200
	Guardian Checkmate	RAWB001200
	IKAR PLW	RAWB004200
	MSA Workman	RAWB008000
	3M SALA Winch	RAWB003000
	3M DBI SALA Digital Winch	RAWB003000
	Tuffbuilt Pro Series 1	RAWB009200
	Tuffbuilt Pro Series 2	RAWB009300

Supported SRL Device		
Figure B	Supported Device	Product Code
	Guardian FABXR	RAWB001000
	Tractel Blocfor	RAWB002000
	3M Rebel Protect A	RAWB003000
	3M SALA Sealed Block	RAWB003000
	3M Sala Ultra-Lok	RAWB003000
	IKAR HRA	RAWB004000
	Globestock G-Saver GSE 414G	RAWB005500
	Globestock G-Saver GSE 420G	RAWB005000
	Globestock G-Saver GSE 434G	RAWB005000
	Ridgegear	RAWB006000
	MSA Rescuer	RAWB008000

TDAVIT® Winched



TDAVIT® Double Winched





# ➤ PORTA DAVIT QUANTUM® Single Winch



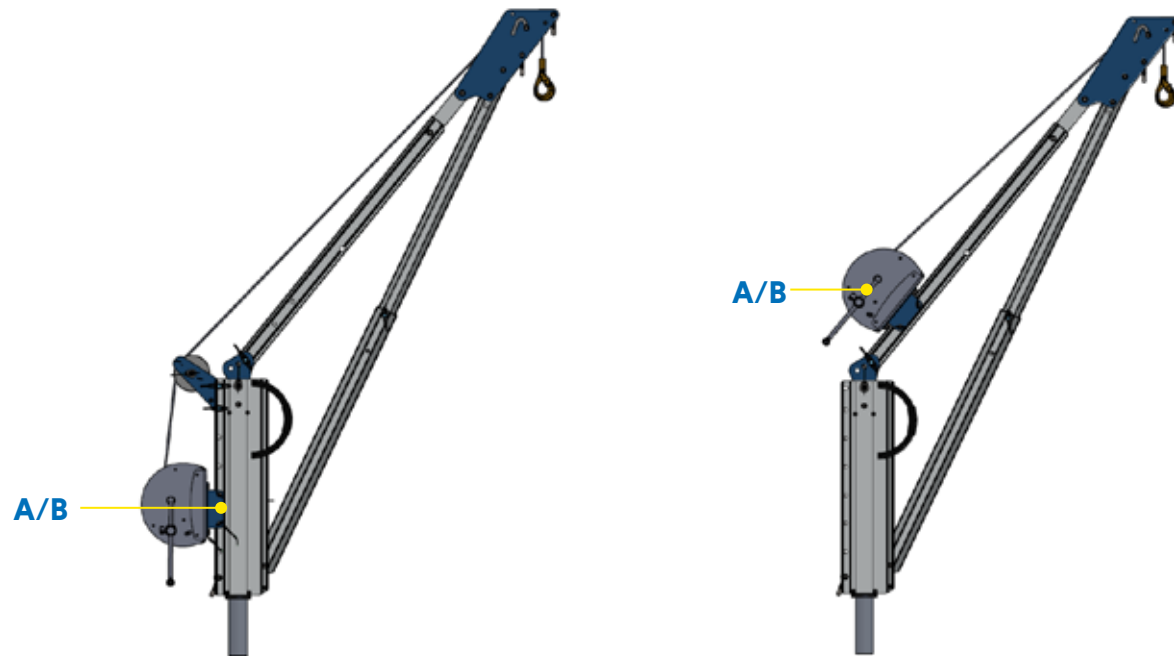
Supported Personnel Winch			
Figure A	Supported Device	Product Code - Column	Product Code - Backstay
	G.Winch	RAWB005200	RAWB005206
	Guardian Checkmate	RAWB001200	RAWB001206
	IKAR PLW	RAWB004200	RAWB004206
	MSA Workman	RAWB008000	RAWB008006
	3M SALA Winch	RAWB003000	RAWB003003
	3M DBI SALA Digital Winch	RAWB003000	RAWB003003
	Tuffbuilt Pro Series 1	RAWB009200	RAWB009206
	Tuffbuilt Pro Series 2	RAWB009300	RAWB009306

Supported SRL Device			
Figure B	Supported Device	Product Code - Column	Product Code - Backstay
	Guardian FABXR	RAWB001000	RAWB001000
	Tractel Blocfor	RAWB002000	RAWB002000
	3M Rebel Protect A	RAWB003000	RAWB003006
	3M SALA Sealed Block	RAWB003000	RAWB003006
	3M Sala Ultra-Lok	RAWB003000	RAWB003006
	IKAR HRA	RAWB004000	RAWB004000
	Globestock G-Saver GSE 414G	RAWB005500	RAWB005500
	Globestock G-Saver GSE 420G	RAWB005000	RAWB005000
	Globestock G-Saver GSE 434G	RAWB005000	RAWB005000
	Ridgegear	RAWB006000	RAWB006000
	MSA Rescuer	RAWB008000	RAWB008006

### Winch-ready set up

The following parts are required for use when mounting any winch or SRL device onto the PORTA DAVIT<sup>QUANTUM</sup> column.

Winch-Ready Attachments	
PDQ Sheave Bracket	RAWB000095



# ➤ PORTA DAVIT QUANTUM® Double Winch



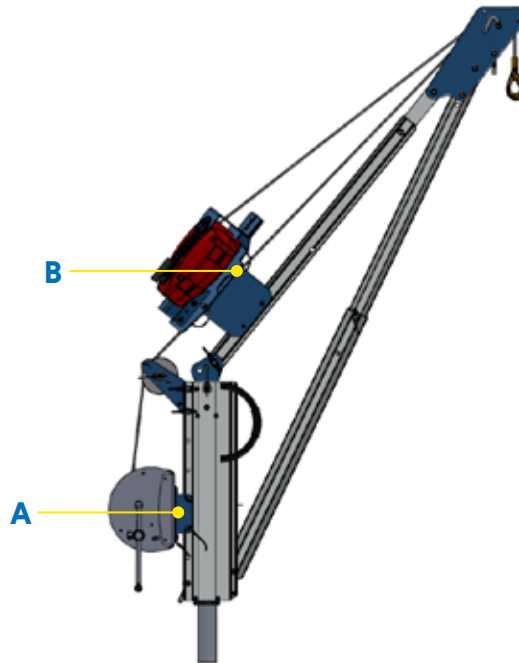
Supported Personnel Winch		
Figure A	Supported Device	Product Code - Column
	G.Winch	RAWB005200
	Guardian Checkmate	RAWB001200
	IKAR PLW	RAWB004200
	MSA Workman	RAWB008000
	3M SALA Winch	RAWB003000
	3M DBI SALA Digital Winch	RAWB003000
	Tuffbuilt Pro Series 1	RAWB009200
	Tuffbuilt Pro Series 2	RAWB009300

Supported SRL Device		
Figure B	Supported Device	Product Code - Backstay (Double Winch)
	Guardian FABXR	RAWB001010
	Tractel Blocfor	RAWB002010
	3M Rebel Protect A	RAWB003010
	3M SALA Sealed Block	RAWB003010
	3M Sala Ultra-Lok	RAWB003010
	IKAR HRA	RAWB004010
	Globestock G-Saver GSE 414G	RAWB005510
	Globestock G-Saver GSE 420G	RAWB005010
	Globestock G-Saver GSE 434G	RAWB005010
	Ridgegear	RAWB006010

### Winch-ready set up

The following parts are required for use when mounting any winch or SRL device onto the PORTADAVIT<sup>QUANTUM</sup> column.

Winch-Ready Attachments	
PDQ Sheave Bracket	RAWB000095

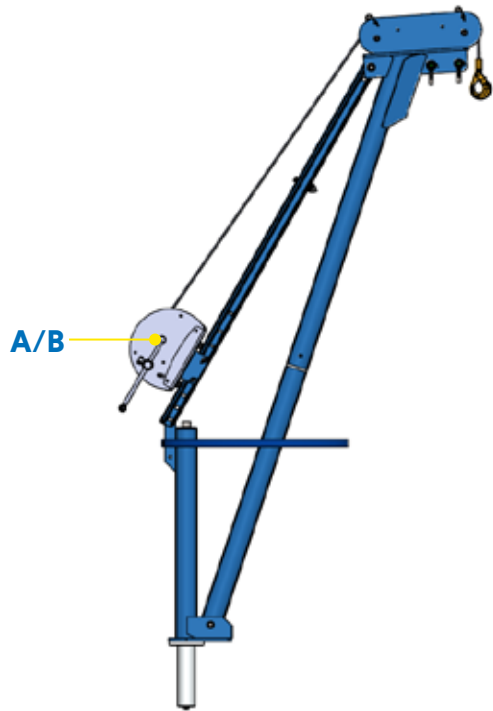


**> PORTADAVIT®**



### Supported Personnel Winch

Figure A	Supported Device	Product Code - Backstay
	G.Winch	RAWB005203
	Guardian Checkmate	RAWB001203
	IKAR PLW	RAWB004203
	MSA Workman	RAWB008003
	3M SALA Winch	RAWB003003
	3M DBI SALA Digital Winch	RAWB003003
	Tuffbuilt Pro Series 1	RAWB009203
	Tuffbuilt Pro Series 2	RAWB009303



### Supported SRL Device

Figure B	Supported Device	Product Code - Backstay
	Guardian FABXR	RAWB001000
	Tractel Blocfor	RAWB002000
	3M Rebel Protect A	RAWB003003
	3M SALA Sealed Block	RAWB003003
	3M Sala Ultra-Lok	RAWB003003
	IKAR HRA	RAWB004000
	Globestock G-Saver GSE 414G	RAWB005500
	Globestock G-Saver GSE 420G	RAWB005000
	Globestock G-Saver GSE 434G	RAWB005000
	Ridgegear	RAWB006000
	MSA Rescuer	RAWB008003

# PORTX<sup>®</sup> DAVIT



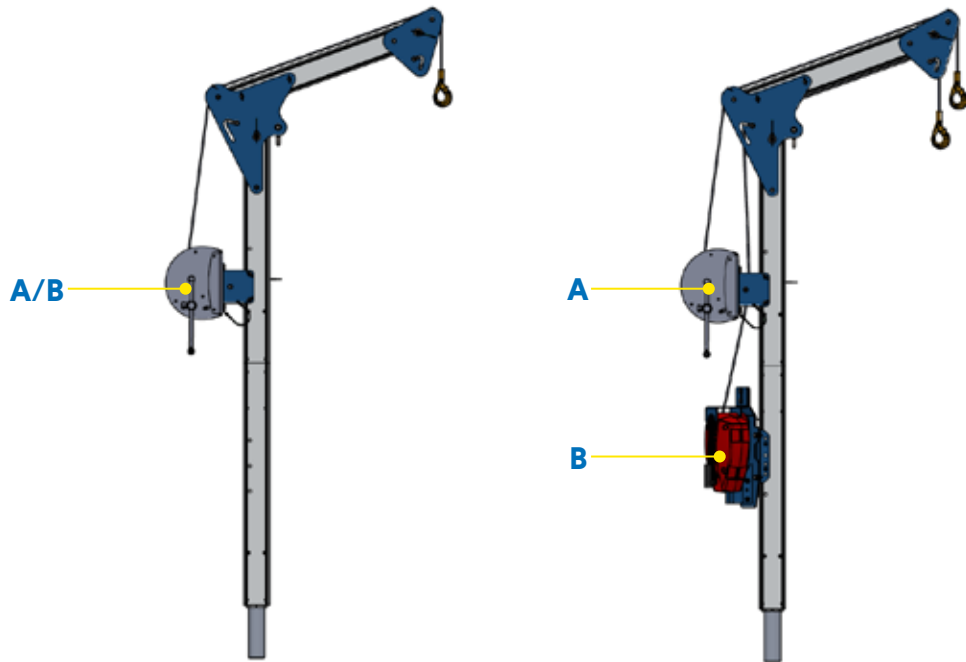


### Supported Personnel Winch

Figure A	Supported Device	Product Code - Single Winch	Product Code - Double Winch
	G.Winch	RAWB005200	RAWB005209
	Guardian Checkmate	RAWB001200	RAWB001209
	IKAR PLW	RAWB004200	RAWB004209
	MSA Workman	RAWB008000	RAWB008000
	3M SALA Winch	RAWB003000	RAWB003009
	3M DBI SALA Digital Winch	RAWB003000	RAWB003009

### Supported SRL Device



Figure B	Supported Device	Product Code
	Guardian FABXR	RAWB001000
	Tractel Blocfor	RAWB002000
	3M Rebel Protect A	RAWB003000
	3M SALA Sealed Block	RAWB003000
	3M Sala Ultra-Lok	RAWB003000
	IKAR HRA	RAWB004000
	Globestock G-Saver GSE 414G	RAWB005500
	Globestock G-Saver GSE 420G	RAWB005000
	Globestock G-Saver GSE 434G	RAWB005000
	Ridgegear	RAWB006000
	MSA Rescuer	RAWB008000



# **Contact Us**

## **REID Lifting**

Unit 1 Wyerview,  
Newhouse Farm Ind. Estate  
Chepstow, Monmouthshire  
NP16 6UD UK

-  +44 (0)1291 620 796
-  [enquiries@reidlifting.com](mailto:enquiries@reidlifting.com)
-  [www.reidlifting.com](http://www.reidlifting.com)

All information herein is copyright protected by REID Lifting Ltd. All company and product names are Trade Mark and Trade Name protected and all REID Product IPR is protected under Patents, Patents Pending and/or Design Rights.

 Printed using environment friendly processes and materials.